

TIMKEN



TIMKEN® SMALL BORE METRIC SEALS CATALOG



ABOUT THE TIMKEN COMPANY

The leading authority on tapered roller bearings, Timken today applies its deep knowledge of metallurgy, tribology and mechanical power transmission across a variety of bearings and related systems to improve reliability and efficiency of machinery and equipment all around the world. Timken (NYSE: TKR; www.timken.com) engineers, manufactures and markets bearings, gear drives, belts, chain and related products, and offers a spectrum of powertrain rebuild and repair services.



TIMKEN® OIL SEALS – SMALL BORE METRIC 2016

OVERVIEW.....	2
INTRODUCTION.....	2
SEAL STORAGE.....	2
ENGINEERING.....	5
Oil Seal Nomenclature & Components.....	6
Oil Seal Model Types.....	6
Elastomer Materials.....	6
Chemical Resistance Guide.....	7
Shaft Information.....	7
Seal Outside Diameter Tolerance.....	8
Seal Width Tolerance.....	8
Shaft and Housing Manufacturing Standard.....	9
Oil Seal Design Considerations.....	10
Special Housing Designs.....	10
Installation.....	11
Ordering.....	13
OIL SEAL PRODUCT TABLE.....	15



To view more Timken catalogs, go to www.timken.com/catalogs for interactive versions, or to download the Timken catalog app for your smart phone or mobile device scan the QR code or go to timkencatalogs.squawqr.com.

INTRODUCTION

Timken offers an extensive line of sealing solutions for original equipment manufacturers and the aftermarket. This line of industrial seals adds value to the company's portfolio of friction management solutions. The seals are backed by the company's experienced technical support and distribution networks, giving distributors a single source for a wide range of bearing and value-added extras to help keep equipment running optimally.

Timken® Small Bore Metric Seals are an extension of the small bore seal line for aftermarket applications. The expanded portfolio includes small bore inch and now a full line of small bore metric.



HOW TO USE THIS CATALOG

We designed this catalog to help you find the Timken seals best suited to your equipment needs and specifications.

The product tables list many of the bearing types.

Timken offers an extensive range of seals in both imperial and metric sizes. For your convenience, size ranges are indicated in millimeters and inches. Contact your Timken engineer to learn more about our complete line for the special needs of your application.

SEAL STORAGE

Timken metric oil seals are constructed of a metal insert, spring and a rubber exterior. Therefore, care must be taken to ensure that the seals do not rust or become deformed. The recommended shelf life of nitrile is up to 10 years, while fluoroelastomer is up to 20 years. Both of these figures are dependent on the seals being stored under ideal conditions. If the seal is to be stored for future use, it is recommended that the packaging not be opened. When stored, we recommend that you keep the seals in an area at a temperature of 16° C to 32° C (60° F to 90° F) and 40 percent to 70 percent humidity. Seals also should be stored on a first in – first out basis, due to the fact that unusually long shelf life may deteriorate the rubber elements.

DISCLAIMER

This catalog is provided solely to give you analysis tools and data to assist you in your product selection. Product performance is affected by many factors beyond the control of Timken.

Therefore, the suitability and feasibility of all product selection must be validated by you.

Timken products are sold subject to Timken's terms and conditions of sale, which include its limited warranty and remedy, which terms may be found at www.timken.com/termsandconditionsofsale.

Please consult with your Timken sales engineer for more information and assistance.

Every reasonable effort has been made to ensure the accuracy of the information in this writing, but no liability is accepted for errors, omissions or for any other reason.

COMPLIANCE

The Timken Company products shown in this catalog may be directly, or indirectly subject to a number of regulatory standards and directives originating from authorities in the USA, European Union, and around the world, including: REACH (EC 1907/2006, RoHS (2011/65/EU), ATEX (94/9/EC), 'CE' MARKING (93/68/EEC), CONFLICT MINERALS (Section 1502 of the Dodd-Frank Wall Street Reform and Consumer Protection Act).

For any questions or concerns regarding the compliancy or applicability of Timken products to these, or other unspecified standards, please contact your Timken sales engineer or customer services representative.

Updates are made periodically to this catalog. Visit www.timken.com for the most recent version of the Timken® Small Bore Metric Seals Catalog.

ENGINEERING

The following topics are covered within this engineering section:

Oil Seal Nomenclature & Components	6
Oil Seal Model Types	6
Elastomer Materials	6
Chemical Resistance Guide	7
Shaft Information	7
Seal Outside Diameter Tolerance	8
Seal Width Tolerance	8
Shaft and Housing Manufacturing Standard	9
Oil Seal Design Considerations	10
Special Housing Designs	10
Installation	11
Ordering	13

To order the catalog, please contact your Timken engineer and request a copy of the Timken® Small Bore Metric Seals Catalog (order no. 10951).



To view more Timken catalogs, go to www.timken.com/catalogs for interactive versions, or to download the Timken catalog app for your smart phone or mobile device scan the QR code or go to timkencatalogs.squawqr.com.

OIL SEAL NOMENCLATURE AND COMPONENTS

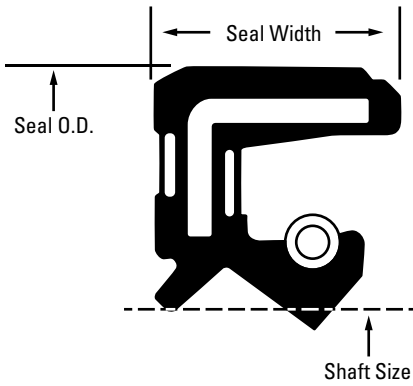


Fig. 1. Oil seal nomenclature.

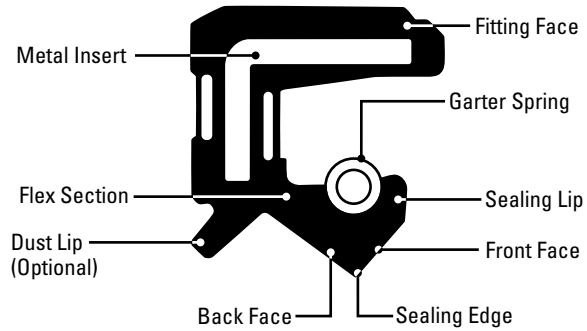




Fig. 2. Oil seal components.

OIL SEAL MODEL TYPES

TABLE 1. OIL SEAL MODEL TYPES

Model	Characteristics	Maximum Surface Speed	Maximum Pressure
 RLS35	This model type is a rubber outside diameter (O.D.) seal with one spring loaded sealing lip. With only one sealing lip, this seal can either retain lubricant or exclude contaminants. It cannot do both simultaneously.	12 m/s (2362 fpm)	0.3 kg/cm ² (4.267 psi)
 R2LS32	This model type is a rubber O.D. seal with two sealing lips. The main sealing lip is spring loaded. This is a two-way seal, which means that it can retain lubricant and exclude contaminants simultaneously.	10 m/s (1969 fpm)	0.3 kg/cm ² (4.267 psi)

ELASTOMER MATERIALS

TABLE 2. ELASTOMER MATERIALS

Material	Code	JIS Hardness	Temperature Range	Characteristics
Nitrile (NBR)	S	70	-20° C to 120° C (-4° F to 248° F)	This material has good resistance to standard oils, greases and normal fuels. This material also has good abrasion resistance.
Fluoroelastomer (FKM)	V	75	-40° C to 250° C (-40° F to 482° F)	This material has high-temperature resistance. It also is resistant to a variety of chemicals and acidic solutions.

CHEMICAL RESISTANCE GUIDE

The following guide should be treated as a general guideline for elastomer performance when exposed to common chemicals. For seal use in applications with various chemicals or other chemical compounds not listed, please contact your Timken sales engineer. See table 3 below.

TABLE 3. CHEMICAL RESISTANCE GUIDE

		Nitrile	Fluoroelastomer
Acidic Solutions	Non-Organic	2	2
	Organic	3	2
Basic Solution		1	1
Salts or Saline		1	1
Hydrocarbon		4	2
Alcohol		1	1
Grease		1	1
Phenol		4	2
Aldehyde		4	4
Ketone		4	3

Ratings:

- 1 = Can be used with little to no effect.
- 2 = Can be used but caution must be taken with respect to operating conditions.
- 3 = Can be used for a short period of time.
- 4 = Cannot be used.

SHAFT INFORMATION

SHAFT SPEED

The operating shaft speed limit is highly dependent on the oil seal material and seal lip design. If there are minimal vibrations, the surface speed of the seal can be higher. To determine the surface speed of a certain seal, consult the diagram below. This diagram should be used as a general guide to determine if a seal is considered to be used at low, medium or high speed. For high-speed applications that may fall outside of the chart limits below, please contact your Timken sales engineer. See Fig. 3 below.

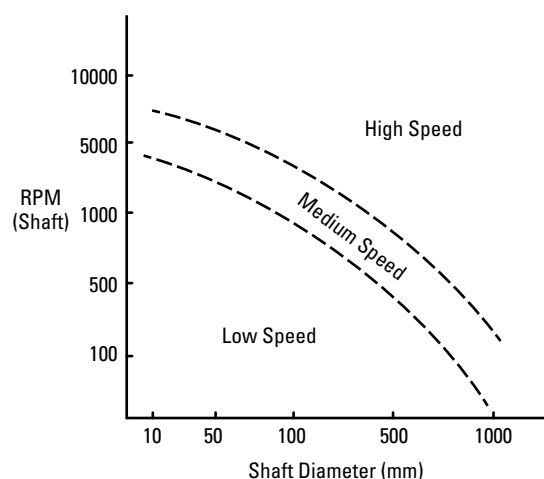


Fig. 3. Seal surface speed selection guide.

SHAFT SURFACE FINISH

The shaft surface roughness and finish play a big role in seal surface speed. Generally for low-speed applications, the shaft surface roughness must be 0.75 µm Ra (29.5 µin) or lower. For medium- to high-speed applications the surface roughness must be 0.375 µm Ra (14.75 µin) or lower. If a ground surface finish has been used with a roughness greater than 0.75 µm Ra (29.5 µin), the probability for oil (or grease) leakage greatly increases. For more detail regarding shaft finish, please see table 6 on page 9 for shaft and housing manufacturing standards.

SHAFT HARDNESS

The standard shaft hardness to be used is a minimum of 30-40 HRC. However, if the application is in a very contaminated environment, excess dirt and particles can increase shaft wear. If this is the case, a shaft with greater hardness may need to be used. Contact your Timken sales engineer for more details.

HRC = Rockwell Hardness

SHAFT MISALIGNMENT AND RUN-OUT

Shaft misalignment and run-out will affect the efficiency and durability of an oil seal. Acceptable misalignment is dependent on shaft speed, shaft diameter, oil seal material and model type. Acceptable misalignment, in regards to seal diameter and basic shaft speed, can be found in the below diagram. This diagram should be used as a general guide to determine permissible seal misalignment. If large amounts of shaft misalignment and run-out are present in your application, please contact your Timken sales engineer. See Fig. 4 below.

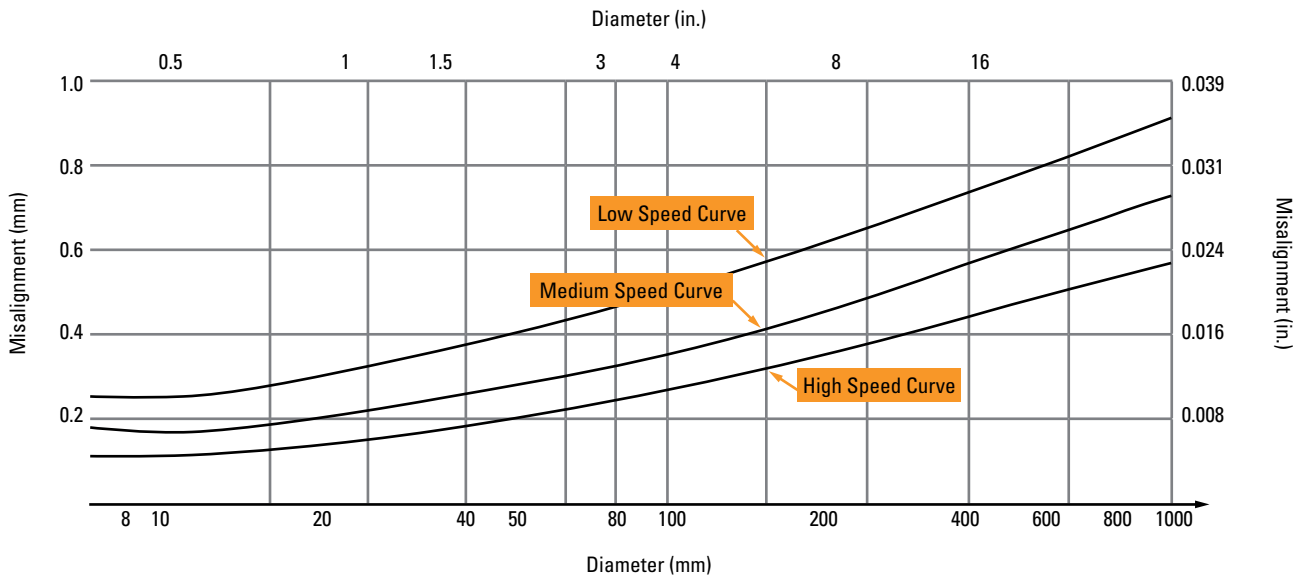


Fig. 4. Acceptable shaft misalignment.

SEAL OUTSIDE DIAMETER TOLERANCE

TABLE 4. SEAL OUTSIDE DIAMETER TOLERANCE

O.D. Range	O.D. Tolerance
mm	mm
< 30	+0.10 to +0.30
30 to 120	+0.10 to +0.35
120 to 180	+0.15 to +0.40
180 to 300	+0.15 to +0.45
300 to 550	+0.20 to +0.55

SEAL WIDTH TOLERANCE

TABLE 5. SEAL WIDTH TOLERANCE

Width Range	Width Tolerance
mm	mm
< 6	± 0.2
6 to 10	± 0.3
10 to 14	± 0.4
14 to 18	± 0.5
18 to 30	± 0.6
> 30	± 0.7

SHAFT AND HOUSING MANUFACTURING STANDARD

TABLE 6. SHAFT AND HOUSING MANUFACTURING STANDARD

Shaft Manufacturing Standard						
Size Range		Tolerance	Fitting Surface			Surface Roughness
From	To	H9	b	r	a	
mm	mm	μm	mm	mm		
3	6	-30 to 0	1.5	2	30°	For low speed use 0.75 μm Ra max.
6	10	-36 to 0				
10	18	-43 to 0				
18	30	-52 to 0				
30	50	-62 to 0	2	2	30°	
50	80	-74 to 0				
80	120	-87 to 0	2.5	2	30°	
120	180	-100 to 0				
180	250	-115 to 0	3	5	20°	For medium to high speed use 0.375 μm Ra max.
250	315	-130 to 0				
315	400	-100 to 0	5	5	20°	
400	500	-155 to 0				
500	630	-175 to 0	7	10	20°	
630	800	-200 to 0				
800	1000	-230 to 0	9	10	20°	
1000	1250	-260 to 0				

Housing Manufacturing Standard						
Size Range		Tolerance		K	Fitting Surface	Surface Roughness
From	To	H7	H8			
mm	mm	μm	μm	mm		
3	6	0 to 12	0 to 18	3	a = 15 - 30°	
6	10	0 to 15	0 to 22			
10	18	0 to 18	0 to 27			
18	30	0 to 21	0 to 33			
30	50	0 to 25	0 to 39	4		1.5 μm Ra max.
50	80	0 to 30	0 to 46			
80	120	0 to 35	0 to 54	5		
120	180	0 to 40	0 to 63			
180	250	0 to 46	0 to 72	6	c = 0.1 - 0.15W	
250	315	0 to 52	0 to 81			
315	400	0 to 57	-	6	c = 0.1 - 0.15W	
400	500	0 to 63	-			
500	630	0 to 70	-	6	c = 0.1 - 0.15W	
630	800	0 to 80	-			
800	1000	0 to 90	-	6	c = 0.1 - 0.15W	
1000	1250	0 to 105	-			

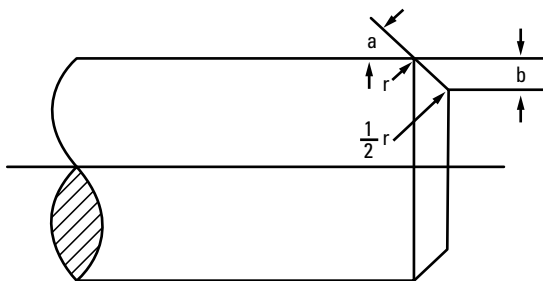


Fig. 5. Shaft parameters.

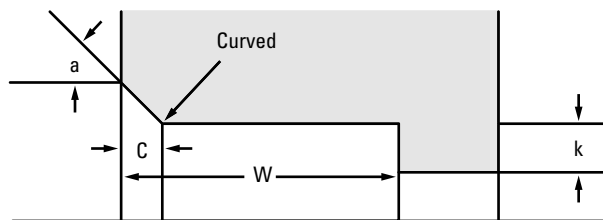


Fig. 6. Housing parameters.

OIL SEAL DESIGN CONSIDERATIONS

When designing the housing, it is important to consider ease of seal installation. The two diagrams below illustrate common housing designs. No matter how you design the housing, you must ensure that all components are referenced off of the same datum plane so that the oil seal is not installed at an angle.

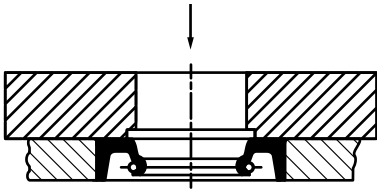


Fig. 7. Seal Installation with an end plate.

Without a datum plane, a high internal pressure or light-metal housing may cause leakage. In such a case, an end plate can be used to firmly fix the seal. See Fig. 7 above.

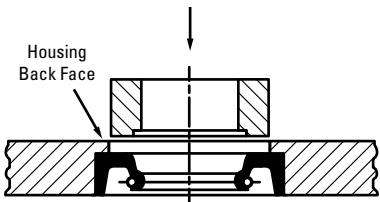


Fig. 8. Seal removal from the back face.

The inside diameter of the housing back face should not cover the entire seal. This way, the oil seal can be pushed out from the other side. See Fig. 8 above.

OTHER PRECAUTIONS

- It is very important that the seal lip contact area remain lubricated. If the seal begins to run dry, seal wear will drastically increase.
- When designing the equipment, care must be taken to ensure that the internal pressure does not continually increase.
- Applying grease to the bearing also affects the effectiveness of the seal. Therefore a grease return path may be needed between the bearing and the seal.
- Axial shaft movement should be minimized as much as possible to ensure optimal seal performance.
- Housings manufactured using a stamping press should not be used.
- Along with the oil seal lip contacting surface, the design should ensure that no other areas will leak oil/grease. This includes the housing bore and securing bolts which may have been tapped into the sealing area.

SPECIAL HOUSING DESIGNS

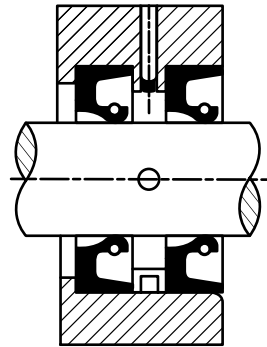


Fig. 9. Special design 1.

When two seals are oriented to provide one-way sealing, a lubricating channel can be used to lubricate the outer oil seal. See Fig. 9 above.

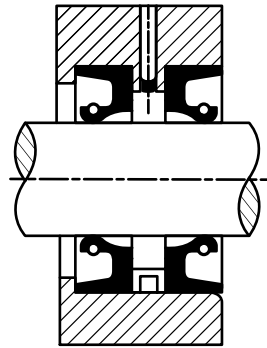


Fig. 10. Special design 2.

When two seals are oriented to provide two-way sealing between two fluids, a fluid channel can be used. This will create pressure between the seals to prevent leakage of either fluid. See Fig. 10 above.

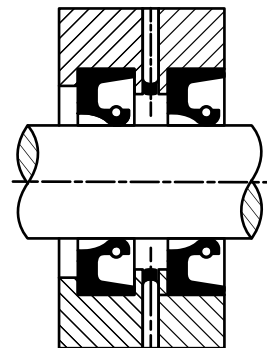


Fig. 11. Special design 3.

If the lubricating channel creates its own leakage problem in the outer seal, an additional channel can be used to drain excess oil from between the seals. See Fig. 11 above.

INSTALLATION

PRE-INSTALLATION CHECKS

1. The shaft and housing dimensions should be checked prior to installation.
2. The oil seal inside diameter (I.D.), outside diameter (O.D.), and width dimensions should also be checked prior to installation.
3. The end surfaces of the shaft and housing should be inspected for damage and proper chamfer before installation.
4. The oil seal lip must be inspected for damage or deformation. Also, ensure that the spring is located behind the main lip and that it is not rusted.
5. The fitting surface must be cleaned and free of debris.

INSTALLATION METHOD

THE SHAFT

Before the seal is fitted to the shaft, grease (or oil) should be applied to the sealing lip(s) and the contact surface of the shaft. This will make installation easier and reduce the initial seal lip wear. The amount of grease (or oil) to be applied should be about $1/3 - 1/2$ of the volume between the lips.

THE HOUSING

Excessive or uneven force should not be used to fit the seal into place in the housing. A fitting tool should be used to ensure that force is evenly applied when installing the seal. See Figs. 12 and 13 below.

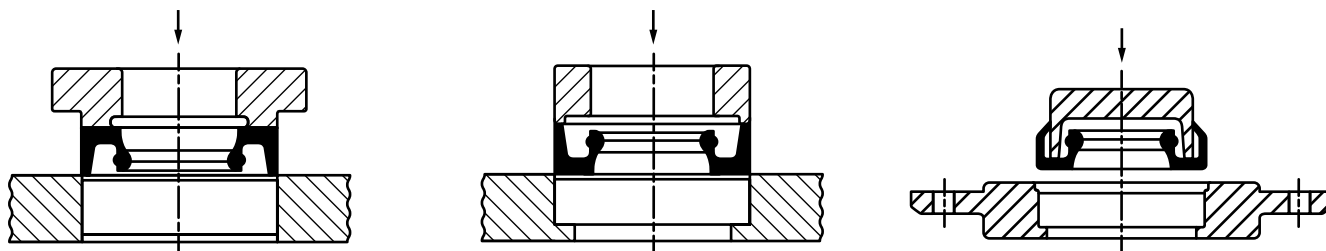


Fig. 12. Acceptable methods.

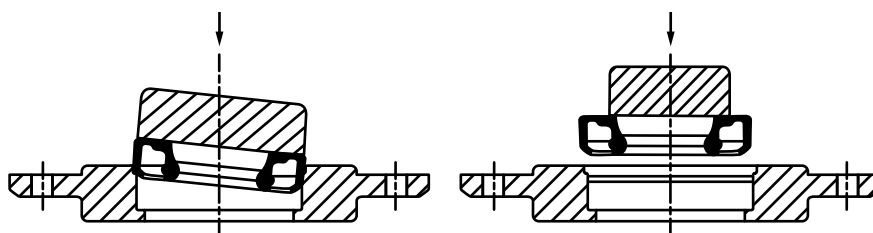


Fig. 13. Unacceptable methods.

INSTALLATION CONSIDERATIONS

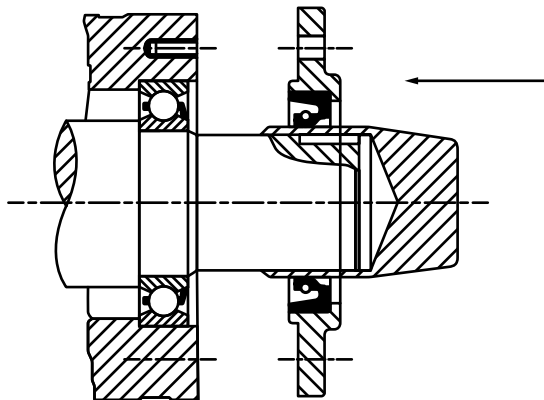


Fig. 14. Shaft with a key way.

If the shaft has a thread/keyway, the seal riding surface diameter needs to be larger than the diameter of the thread/keyway. If this is not possible, then a tool must be used to facilitate the oil seal installation. See Fig. 14 above.

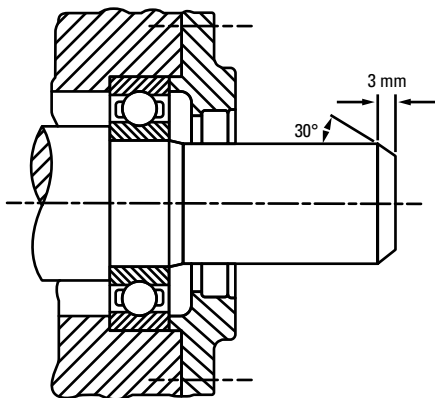


Fig. 15. Stepped shaft.

When a bearing is fitted, the shaft may be damaged. Therefore the seal riding surface diameter must be made smaller compared to the fitting surface diameter of the bearing. See Fig. 15 above.

AFTER INSTALLATION

1. Do not clean the seal.
2. If the equipment must be painted, the seal lip riding surface on the shaft must be free from paint.
3. Do not reuse removed seals. Used seals must be discarded.
4. After the seal has been installed, optimum seal performance is not achieved until the seal has been broken-in during operation.

ORDERING

For standard seals located in this catalog, please reference the example part numbers below. If there are any questions regarding part numbers or special order seals, feel free to contact your Timken sales engineer. See Figs. 16 and 17 below.

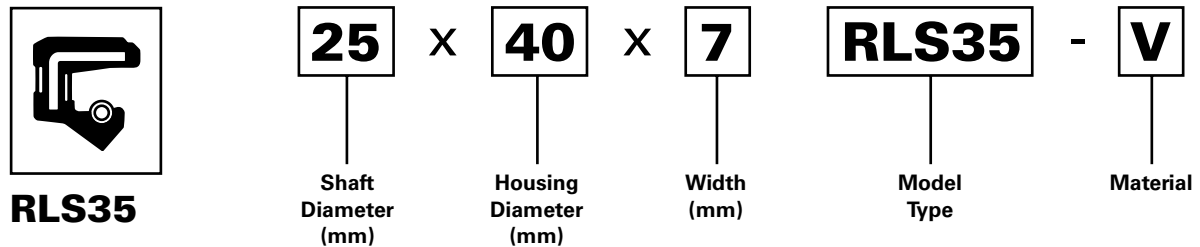


Fig. 16. RLS35 ordering example.

This model type is a rubber O.D. seal with one spring loaded sealing lip. With only one sealing lip, this seal can either retain lubricant or exclude contaminants depending on orientation. It cannot do both simultaneously.

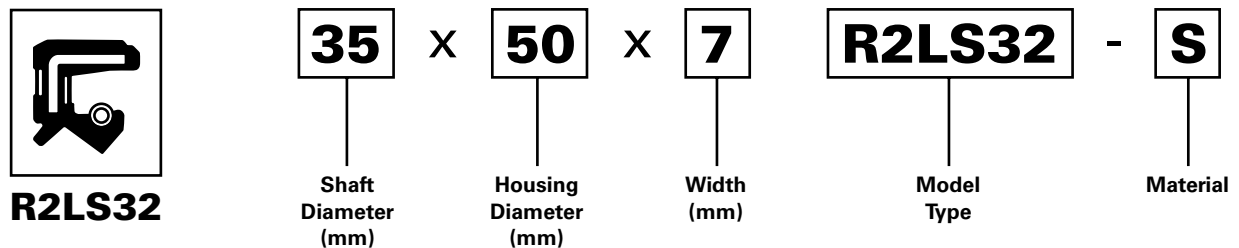
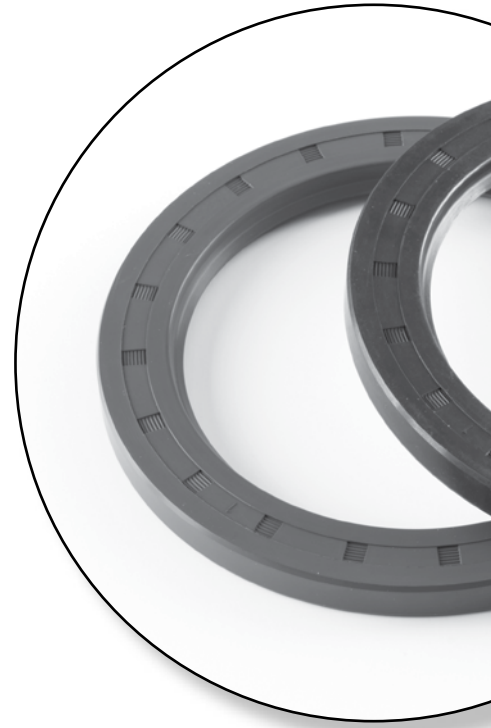


Fig. 17. R2LS32 ordering example.

This model type is a rubber O.D. seal with two sealing lips. The main sealing lip is spring loaded. This is a two-way seal, which means that it can retain lubricant and exclude contaminants simultaneously.

OIL SEAL PRODUCT TABLE

Product Table 16



OIL SEAL PRODUCT TABLE

Timken Part Number	Shaft	Bore	Width	Model	O.D. Type	Lip	Spring	Lip Material
	mm	mm	mm					
Shaft 5.0 mm								
5x16x6-RLS35-S	5.00	16.00	6.00	RLS35	Rubber	SGL	Spring	S (NBR)
5x18x7-R2LS32-S	5.00	18.00	7.00	R2LS32	Rubber	MULTI	Spring	S (NBR)
Shaft 6.0 mm								
6x15x5-R2LS32-S	6.00	15.00	5.00	R2LS32	Rubber	MULTI	Spring	S (NBR)
6x16x5-RLS35-S	6.00	16.00	5.00	RLS35	Rubber	SGL	Spring	S (NBR)
6x16x6-RLS35-S	6.00	16.00	6.00	RLS35	Rubber	SGL	Spring	S (NBR)
6x16x7-R2LS32-S	6.00	16.00	7.00	R2LS32	Rubber	MULTI	Spring	S (NBR)
6x16x7-R2LS32-V	6.00	16.00	7.00	R2LS32	Rubber	MULTI	Spring	V (FKM)
6x16x7-RLS35-S	6.00	16.00	7.00	RLS35	Rubber	SGL	Spring	S (NBR)
6x16x7-RLS35-V	6.00	16.00	7.00	RLS35	Rubber	SGL	Spring	V (FKM)
6x22x7-R2LS32-S	6.00	22.00	7.00	R2LS32	Rubber	MULTI	Spring	S (NBR)
6x22x7-RLS35-S	6.00	22.00	7.00	RLS35	Rubber	SGL	Spring	S (NBR)
Shaft 7.0 mm								
7x16x7-R2LS32-S	7.00	16.00	7.00	R2LS32	Rubber	MULTI	Spring	S (NBR)
7x16x7-R2LS32-V	7.00	16.00	7.00	R2LS32	Rubber	MULTI	Spring	V (FKM)
7x22x7-R2LS32-S	7.00	22.00	7.00	R2LS32	Rubber	MULTI	Spring	S (NBR)
7x22x7-RLS35-S	7.00	22.00	7.00	RLS35	Rubber	SGL	Spring	S (NBR)
Shaft 8.0 mm								
8x12x3-R2LS32-S	8.00	12.00	3.00	R2LS32	Rubber	MULTI	Spring	S (NBR)
8x12x3-RLS35-S	8.00	12.00	3.00	RLS35	Rubber	SGL	Spring	S (NBR)
8x16x6-R2LS32-S	8.00	16.00	6.00	R2LS32	Rubber	MULTI	Spring	S (NBR)
8x16x7-R2LS32-S	8.00	16.00	7.00	R2LS32	Rubber	MULTI	Spring	S (NBR)
8x16x7-RLS35-S	8.00	16.00	7.00	RLS35	Rubber	SGL	Spring	S (NBR)
8x16x7-RLS35-V	8.00	16.00	7.00	RLS35	Rubber	SGL	Spring	V (FKM)
8x17x5-R2LS32-S	8.00	17.00	5.00	R2LS32	Rubber	MULTI	Spring	S (NBR)
8x18x5-R2LS32-S	8.00	18.00	5.00	R2LS32	Rubber	MULTI	Spring	S (NBR)
8x18x5-RLS35-S	8.00	18.00	5.00	RLS35	Rubber	SGL	Spring	S (NBR)
8x18x7-R2LS32-S	8.00	18.00	7.00	R2LS32	Rubber	MULTI	Spring	S (NBR)
8x22x7-R2LS32-S	8.00	22.00	7.00	R2LS32	Rubber	MULTI	Spring	S (NBR)
8x22x7-R2LS32-V	8.00	22.00	7.00	R2LS32	Rubber	MULTI	Spring	V (FKM)
8x22x7-RLS35-S	8.00	22.00	7.00	RLS35	Rubber	SGL	Spring	S (NBR)
8x22x7-RLS35-V	8.00	22.00	7.00	RLS35	Rubber	SGL	Spring	V (FKM)
8x24x7-R2LS32-S	8.00	24.00	7.00	R2LS32	Rubber	MULTI	Spring	S (NBR)
8x24x7-RLS35-S	8.00	24.00	7.00	RLS35	Rubber	SGL	Spring	S (NBR)
Shaft 9.0 mm								
9x17x5-R2LS32-S	9.00	17.00	5.00	R2LS32	Rubber	MULTI	Spring	S (NBR)
9x18x7-R2LS32-S	9.00	18.00	7.00	R2LS32	Rubber	MULTI	Spring	S (NBR)

SKUs available in single and bulk pack.
 All sizes can be made available in Viton® with MOQ and lead time.
 Viton® is a registered trademark of E.I. du Pont de Nemours and Company.
 Please contact your Timken sales engineer for more information.



Continued on next page.

Continued from previous page.

Timken Part Number	Shaft	Bore	Width	Model	O.D. Type	Lip	Spring	Lip Material
	mm	mm	mm					
9x21x5-R2LS32-S	9.00	21.00	5.00	R2LS32	Rubber	MULTI	Spring	S (NBR)
9x22x7-R2LS32-S	9.00	22.00	7.00	R2LS32	Rubber	MULTI	Spring	S (NBR)
9x22x7-R2LS32-V	9.00	22.00	7.00	R2LS32	Rubber	MULTI	Spring	V (FKM)
9x22x7-RLS35-S	9.00	22.00	7.00	RLS35	Rubber	SGL	Spring	S (NBR)
9x22x7-RLS35-V	9.00	22.00	7.00	RLS35	Rubber	SGL	Spring	V (FKM)
9x24x7-R2LS32-S	9.00	24.00	7.00	R2LS32	Rubber	MULTI	Spring	S (NBR)
9x24x7-RLS35-S	9.00	24.00	7.00	RLS35	Rubber	SGL	Spring	S (NBR)
9x25x8-R2LS32-S	9.00	25.00	8.00	R2LS32	Rubber	MULTI	Spring	S (NBR)
9x26x7-R2LS32-S	9.00	26.00	7.00	R2LS32	Rubber	MULTI	Spring	S (NBR)
9x26x7-RLS35-S	9.00	26.00	7.00	RLS35	Rubber	SGL	Spring	S (NBR)
9x28x8-R2LS32-S	9.00	28.00	8.00	R2LS32	Rubber	MULTI	Spring	S (NBR)
Shaft 10.0 mm								
10x17x3-R2LS32-S	10.00	17.00	3.00	R2LS32	Rubber	MULTI	Spring	S (NBR)
10x18x6-R2LS32-S	10.00	18.00	6.00	R2LS32	Rubber	MULTI	Spring	S (NBR)
10x19x7-R2LS32-S	10.00	19.00	7.00	R2LS32	Rubber	MULTI	Spring	S (NBR)
10x19x7-RLS35-S	10.00	19.00	7.00	RLS35	Rubber	SGL	Spring	S (NBR)
10x20x6-R2LS32-S	10.00	20.00	6.00	R2LS32	Rubber	MULTI	Spring	S (NBR)
10x20x6-RLS35-S	10.00	20.00	6.00	RLS35	Rubber	SGL	Spring	S (NBR)
10x20x7-R2LS32-S	10.00	20.00	7.00	R2LS32	Rubber	MULTI	Spring	S (NBR)
10x20x7-RLS35-S	10.00	20.00	7.00	RLS35	Rubber	SGL	Spring	S (NBR)
10x22x5-R2LS32-S	10.00	22.00	5.00	R2LS32	Rubber	MULTI	Spring	S (NBR)
10x22x7-R2LS32-S	10.00	22.00	7.00	R2LS32	Rubber	MULTI	Spring	S (NBR)
10x22x7-R2LS32-V	10.00	22.00	7.00	R2LS32	Rubber	MULTI	Spring	V (FKM)
10x22x7-RLS35-S	10.00	22.00	7.00	RLS35	Rubber	SGL	Spring	S (NBR)
10x22x7-RLS35-V	10.00	22.00	7.00	RLS35	Rubber	SGL	Spring	V (FKM)
10x24x7-R2LS32-S	10.00	24.00	7.00	R2LS32	Rubber	MULTI	Spring	S (NBR)
10x24x7-RLS35-S	10.00	24.00	7.00	RLS35	Rubber	SGL	Spring	S (NBR)
10x25x7-R2LS32-S	10.00	25.00	7.00	R2LS32	Rubber	MULTI	Spring	S (NBR)
10x26x7-R2LS32-S	10.00	26.00	7.00	R2LS32	Rubber	MULTI	Spring	S (NBR)
10x26x7-RLS35-S	10.00	26.00	7.00	RLS35	Rubber	SGL	Spring	S (NBR)
10x28x7-R2LS32-S	10.00	28.00	7.00	R2LS32	Rubber	MULTI	Spring	S (NBR)
10x30x7-RLS35-S	10.00	30.00	7.00	RLS35	Rubber	SGL	Spring	S (NBR)
10x30x10-RLS35-S	10.00	30.00	10.00	RLS35	Rubber	SGL	Spring	S (NBR)
10x40x7-R2LS32-S	10.00	40.00	7.00	R2LS32	Rubber	MULTI	Spring	S (NBR)
10x40x7-RLS35-S	10.00	40.00	7.00	RLS35	Rubber	SGL	Spring	S (NBR)
Shaft 11.0 mm								
11x17x4-RLS35-S	11.00	17.00	4.00	RLS35	Rubber	SGL	Spring	S (NBR)
11x22x6-R2LS32-V	11.00	22.00	6.00	R2LS32	Rubber	MULTI	Spring	V (FKM)

SKUs available in single and bulk pack.
 All sizes can be made available in Viton® with MOQ and lead time.
 Viton® is a registered trademark of E.I. du Pont de Nemours and Company.
 Please contact your Timken sales engineer for more information.



Continued on next page.

OIL SEAL PRODUCT TABLE

Continued from previous page.

Timken Part Number	Shaft	Bore	Width	Model	O.D. Type	Lip	Spring	Lip Material
	mm	mm	mm					
11x22x7-R2LS32-S	11.00	22.00	7.00	R2LS32	Rubber	MULTI	Spring	S (NBR)
11x22x7-RLS35-S	11.00	22.00	7.00	RLS35	Rubber	SGL	Spring	S (NBR)
11x26x7-RLS35-S	11.00	26.00	7.00	RLS35	Rubber	SGL	Spring	S (NBR)
11x30x7-RLS35-S	11.00	30.00	7.00	RLS35	Rubber	SGL	Spring	S (NBR)
Shaft 12.0 mm								
12x18x3-R2LS32-S	12.00	18.00	3.00	R2LS32	Rubber	MULTI	Spring	S (NBR)
12x18x3-RLS35-S	12.00	18.00	3.00	RLS35	Rubber	SGL	Spring	S (NBR)
12x19x3-R2LS32-S	12.00	19.00	3.00	R2LS32	Rubber	MULTI	Spring	S (NBR)
12x19x5-R2LS32-S	12.00	19.00	5.00	R2LS32	Rubber	MULTI	Spring	S (NBR)
12x19x5-RLS35-S	12.00	19.00	5.00	RLS35	Rubber	SGL	Spring	S (NBR)
12x20x4-R2LS32-S	12.00	20.00	4.00	R2LS32	Rubber	MULTI	Spring	S (NBR)
12x20x5-RLS35-S	12.00	20.00	5.00	RLS35	Rubber	SGL	Spring	S (NBR)
12x22x5-R2LS32-S	12.00	22.00	5.00	R2LS32	Rubber	MULTI	Spring	S (NBR)
12x22x5-RLS35-S	12.00	22.00	5.00	RLS35	Rubber	SGL	Spring	S (NBR)
12x22x7-R2LS32-S	12.00	22.00	7.00	R2LS32	Rubber	MULTI	Spring	S (NBR)
12x22x9-R2LS32-S	12.00	22.00	9.00	R2LS32	Rubber	MULTI	Spring	S (NBR)
12x24x5-RLS35-S	12.00	24.00	5.00	RLS35	Rubber	SGL	Spring	S (NBR)
12x24x7-R2LS32-S	12.00	24.00	7.00	R2LS32	Rubber	MULTI	Spring	S (NBR)
12x24x7-RLS35-S	12.00	24.00	7.00	RLS35	Rubber	SGL	Spring	S (NBR)
12x25x4.5-RLS35-S	12.00	25.00	4.50	RLS35	Rubber	SGL	Spring	S (NBR)
12x25x5-R2LS32-S	12.00	25.00	5.00	R2LS32	Rubber	MULTI	Spring	S (NBR)
12x25x7-R2LS32-S	12.00	25.00	7.00	R2LS32	Rubber	MULTI	Spring	S (NBR)
12x25x7-RLS35-S	12.00	25.00	7.00	RLS35	Rubber	SGL	Spring	S (NBR)
12x26x7-R2LS32-S	12.00	26.00	7.00	R2LS32	Rubber	MULTI	Spring	S (NBR)
12x26x8-RLS35-S	12.00	26.00	8.00	RLS35	Rubber	SGL	Spring	S (NBR)
12x27x7-R2LS32-S	12.00	27.00	7.00	R2LS32	Rubber	MULTI	Spring	S (NBR)
12x28x7-R2LS32-S	12.00	28.00	7.00	R2LS32	Rubber	MULTI	Spring	S (NBR)
12x28x7-R2LS32-V	12.00	28.00	7.00	R2LS32	Rubber	MULTI	Spring	V (FKM)
12x28x7-RLS35-S	12.00	28.00	7.00	RLS35	Rubber	SGL	Spring	S (NBR)
12x28x7-RLS35-V	12.00	28.00	7.00	RLS35	Rubber	SGL	Spring	V (FKM)
12x30x6-R2LS32-S	12.00	30.00	6.00	R2LS32	Rubber	MULTI	Spring	S (NBR)
12x30x7-R2LS32-S	12.00	30.00	7.00	R2LS32	Rubber	MULTI	Spring	S (NBR)
12x30x7-R2LS32-V	12.00	30.00	7.00	R2LS32	Rubber	MULTI	Spring	V (FKM)
12x30x7-RLS35-S	12.00	30.00	7.00	RLS35	Rubber	SGL	Spring	S (NBR)
12x30x7-RLS35-V	12.00	30.00	7.00	RLS35	Rubber	SGL	Spring	V (FKM)
12x32x7-R2LS32-S	12.00	32.00	7.00	R2LS32	Rubber	MULTI	Spring	S (NBR)
12x32x7-RLS35-S	12.00	32.00	7.00	RLS35	Rubber	SGL	Spring	S (NBR)

SKUs available in single and bulk pack.
 All sizes can be made available in Viton® with MOQ and lead time.
 Viton® is a registered trademark of E.I. du Pont de Nemours and Company.
 Please contact your Timken sales engineer for more information.



Continued on next page.

Continued from previous page.

Timken Part Number	Shaft	Bore	Width	Model	O.D. Type	Lip	Spring	Lip Material
	mm	mm	mm					
Shaft 13.0 mm								
13x20x5-R2LS32-S	13.00	20.00	5.00	R2LS32	Rubber	MULTI	Spring	S (NBR)
13x22x5-R2LS32-S	13.00	22.00	5.00	R2LS32	Rubber	MULTI	Spring	S (NBR)
13x26x7-R2LS32-S	13.00	26.00	7.00	R2LS32	Rubber	MULTI	Spring	S (NBR)
13x26x7-RLS35-S	13.00	26.00	7.00	RLS35	Rubber	SGL	Spring	S (NBR)
13x28x7-RLS35-S	13.00	28.00	7.00	RLS35	Rubber	SGL	Spring	S (NBR)
13x30x7-R2LS32-S	13.00	30.00	7.00	R2LS32	Rubber	MULTI	Spring	S (NBR)
Shaft 14.0 mm								
14x22x4-R2LS32-S	14.00	22.00	4.00	R2LS32	Rubber	MULTI	Spring	S (NBR)
14x22x4-RLS35-S	14.00	22.00	4.00	RLS35	Rubber	SGL	Spring	S (NBR)
14x22x5-R2LS32-S	14.00	22.00	5.00	R2LS32	Rubber	MULTI	Spring	S (NBR)
14x23x5-RLS35-S	14.00	23.00	5.00	RLS35	Rubber	SGL	Spring	S (NBR)
14x24x6-R2LS32-S	14.00	24.00	6.00	R2LS32	Rubber	MULTI	Spring	S (NBR)
14x24x7-R2LS32-S	14.00	24.00	7.00	R2LS32	Rubber	MULTI	Spring	S (NBR)
14x24x7-RLS35-S	14.00	24.00	7.00	RLS35	Rubber	SGL	Spring	S (NBR)
14x25x5-RLS35-S	14.00	25.00	5.00	RLS35	Rubber	SGL	Spring	S (NBR)
14x25x7-R2LS32-S	14.00	25.00	7.00	R2LS32	Rubber	MULTI	Spring	S (NBR)
14x28x6-R2LS32-S	14.00	28.00	6.00	R2LS32	Rubber	MULTI	Spring	S (NBR)
14x28x6-RLS35-S	14.00	28.00	6.00	RLS35	Rubber	SGL	Spring	S (NBR)
14x28x7-R2LS32-S	14.00	28.00	7.00	R2LS32	Rubber	MULTI	Spring	S (NBR)
14x28x7-RLS35-S	14.00	28.00	7.00	RLS35	Rubber	SGL	Spring	S (NBR)
14x30x7-R2LS32-S	14.00	30.00	7.00	R2LS32	Rubber	MULTI	Spring	S (NBR)
14x30x7-R2LS32-V	14.00	30.00	7.00	R2LS32	Rubber	MULTI	Spring	V (FKM)
14x30x7-RLS35-S	14.00	30.00	7.00	RLS35	Rubber	SGL	Spring	S (NBR)
14x30x7-RLS35-V	14.00	30.00	7.00	RLS35	Rubber	SGL	Spring	V (FKM)
14x35x7-R2LS32-S	14.00	35.00	7.00	R2LS32	Rubber	MULTI	Spring	S (NBR)
14x35x7-RLS35-S	14.00	35.00	7.00	RLS35	Rubber	SGL	Spring	S (NBR)
Shaft 15.0 mm								
15x21x3-R2LS32-S	15.00	21.00	3.00	R2LS32	Rubber	MULTI	Spring	S (NBR)
15x24x5-R2LS32-S	15.00	24.00	5.00	R2LS32	Rubber	MULTI	Spring	S (NBR)
15x24x5-RLS35-S	15.00	24.00	5.00	RLS35	Rubber	SGL	Spring	S (NBR)
15x24x7-R2LS32-S	15.00	24.00	7.00	R2LS32	Rubber	MULTI	Spring	S (NBR)
15x24x7-RLS35-S	15.00	24.00	7.00	RLS35	Rubber	SGL	Spring	S (NBR)
15x25x5-R2LS32-S	15.00	25.00	5.00	R2LS32	Rubber	MULTI	Spring	S (NBR)
15x25x5-RLS35-V	15.00	25.00	5.00	RLS35	Rubber	SGL	Spring	V (FKM)
15x25x6-R2LS32-S	15.00	25.00	6.00	R2LS32	Rubber	MULTI	Spring	S (NBR)
15x25x7-R2LS32-S	15.00	25.00	7.00	R2LS32	Rubber	MULTI	Spring	S (NBR)
15x26x6-R2LS32-S	15.00	26.00	6.00	R2LS32	Rubber	MULTI	Spring	S (NBR)

SKUs available in single and bulk pack.
 All sizes can be made available in Viton® with MOQ and lead time.
 Viton® is a registered trademark of E.I. du Pont de Nemours and Company.
 Please contact your Timken sales engineer for more information.



RLS35



R2LS32

Continued on next page.

OIL SEAL PRODUCT TABLE

Continued from previous page.

Timken Part Number	Shaft	Bore	Width	Model	O.D. Type	Lip	Spring	Lip Material
	mm	mm	mm					
15x26x6-RLS35-S	15.00	26.00	6.00	RLS35	Rubber	SGL	Spring	S (NBR)
15x26x7-R2LS32-S	15.00	26.00	7.00	R2LS32	Rubber	MULTI	Spring	S (NBR)
15x26x7-RLS35-S	15.00	26.00	7.00	RLS35	Rubber	SGL	Spring	S (NBR)
15x28x7-R2LS32-S	15.00	28.00	7.00	R2LS32	Rubber	MULTI	Spring	S (NBR)
15x28x7-RLS35-S	15.00	28.00	7.00	RLS35	Rubber	SGL	Spring	S (NBR)
15x30x7-R2LS32-S	15.00	30.00	7.00	R2LS32	Rubber	MULTI	Spring	S (NBR)
15x30x7-RLS35-S	15.00	30.00	7.00	RLS35	Rubber	SGL	Spring	S (NBR)
15x30x10-R2LS32-S	15.00	30.00	10.00	R2LS32	Rubber	MULTI	Spring	S (NBR)
15x30x10-RLS35-S	15.00	30.00	10.00	RLS35	Rubber	SGL	Spring	S (NBR)
15x32x7-R2LS32-S	15.00	32.00	7.00	R2LS32	Rubber	MULTI	Spring	S (NBR)
15x32x7-R2LS32-V	15.00	32.00	7.00	R2LS32	Rubber	MULTI	Spring	V (FKM)
15x32x7-RLS35-S	15.00	32.00	7.00	RLS35	Rubber	SGL	Spring	S (NBR)
15x32x7-RLS35-V	15.00	32.00	7.00	RLS35	Rubber	SGL	Spring	V (FKM)
15x32x8-R2LS32-S	15.00	32.00	8.00	R2LS32	Rubber	MULTI	Spring	S (NBR)
15x33x7-R2LS32-S	15.00	33.00	7.00	R2LS32	Rubber	MULTI	Spring	S (NBR)
15x35x7-R2LS32-S	15.00	35.00	7.00	R2LS32	Rubber	MULTI	Spring	S (NBR)
15x35x7-R2LS32-V	15.00	35.00	7.00	R2LS32	Rubber	MULTI	Spring	V (FKM)
15x35x7-RLS35-S	15.00	35.00	7.00	RLS35	Rubber	SGL	Spring	S (NBR)
15x35x7-RLS35-V	15.00	35.00	7.00	RLS35	Rubber	SGL	Spring	V (FKM)
15x35x10-RLS35-S	15.00	35.00	10.00	RLS35	Rubber	SGL	Spring	S (NBR)
15x40x10-RLS35-S	15.00	40.00	10.00	RLS35	Rubber	SGL	Spring	S (NBR)
Shaft 16.0 mm								
16x22x3-R2LS32-S	16.00	22.00	3.00	R2LS32	Rubber	MULTI	Spring	S (NBR)
16x24x3-R2LS32-S	16.00	24.00	3.00	R2LS32	Rubber	MULTI	Spring	S (NBR)
16x24x5-R2LS32-S	16.00	24.00	5.00	R2LS32	Rubber	MULTI	Spring	S (NBR)
16x24x5-RLS35-S	16.00	24.00	5.00	RLS35	Rubber	SGL	Spring	S (NBR)
16x24x6-R2LS32-S	16.00	24.00	6.00	R2LS32	Rubber	MULTI	Spring	S (NBR)
16x24x7-RLS35-S	16.00	24.00	7.00	RLS35	Rubber	SGL	Spring	S (NBR)
16x26x6-R2LS32-S	16.00	26.00	6.00	R2LS32	Rubber	MULTI	Spring	S (NBR)
16x26x7-R2LS32-S	16.00	26.00	7.00	R2LS32	Rubber	MULTI	Spring	S (NBR)
16x28x5-RLS35-S	16.00	28.00	5.00	RLS35	Rubber	SGL	Spring	S (NBR)
16x28x6-RLS35-S	16.00	28.00	6.00	RLS35	Rubber	SGL	Spring	S (NBR)
16x28x7-R2LS32-S	16.00	28.00	7.00	R2LS32	Rubber	MULTI	Spring	S (NBR)
16x28x7-R2LS32-V	16.00	28.00	7.00	R2LS32	Rubber	MULTI	Spring	V (FKM)
16x28x7-RLS35-S	16.00	28.00	7.00	RLS35	Rubber	SGL	Spring	S (NBR)
16x28x7-RLS35-V	16.00	28.00	7.00	RLS35	Rubber	SGL	Spring	V (FKM)
16x30x7-R2LS32-S	16.00	30.00	7.00	R2LS32	Rubber	MULTI	Spring	S (NBR)

SKUs available in single and bulk pack.
 All sizes can be made available in Viton® with MOQ and lead time.
 Viton® is a registered trademark of E.I. du Pont de Nemours and Company.
 Please contact your Timken sales engineer for more information.



Continued on next page.

Continued from previous page.

Timken Part Number	Shaft	Bore	Width	Model	O.D. Type	Lip	Spring	Lip Material
	mm	mm	mm					
16x30x7-RLS35-S	16.00	30.00	7.00	RLS35	Rubber	SGL	Spring	S (NBR)
16x30x7-RLS35-V	16.00	30.00	7.00	RLS35	Rubber	SGL	Spring	V (FKM)
16x32x7-R2LS32-S	16.00	32.00	7.00	R2LS32	Rubber	MULTI	Spring	S (NBR)
16x32x7-RLS35-S	16.00	32.00	7.00	RLS35	Rubber	SGL	Spring	S (NBR)
16x35x7-R2LS32-S	16.00	35.00	7.00	R2LS32	Rubber	MULTI	Spring	S (NBR)
16x35x7-RLS35-S	16.00	35.00	7.00	RLS35	Rubber	SGL	Spring	S (NBR)
16x38x7-R2LS32-S	16.00	38.00	7.00	R2LS32	Rubber	MULTI	Spring	S (NBR)
Shaft 17.0 mm								
17x23x3-R2LS32-S	17.00	23.00	3.00	R2LS32	Rubber	MULTI	Spring	S (NBR)
17x25x3-R2LS32-S	17.00	25.00	3.00	R2LS32	Rubber	MULTI	Spring	S (NBR)
17x25x4-R2LS32-S	17.00	25.00	4.00	R2LS32	Rubber	MULTI	Spring	S (NBR)
17x25x4-RLS35-S	17.00	25.00	4.00	RLS35	Rubber	SGL	Spring	S (NBR)
17x27x7-R2LS32-S	17.00	27.00	7.00	R2LS32	Rubber	MULTI	Spring	S (NBR)
17x28x6-R2LS32-S	17.00	28.00	6.00	R2LS32	Rubber	MULTI	Spring	S (NBR)
17x28x7-R2LS32-S	17.00	28.00	7.00	R2LS32	Rubber	MULTI	Spring	S (NBR)
17x28x7-RLS35-S	17.00	28.00	7.00	RLS35	Rubber	SGL	Spring	S (NBR)
17x28x7-RLS35-V	17.00	28.00	7.00	RLS35	Rubber	SGL	Spring	V (FKM)
17x29x5-RLS35-S	17.00	29.00	5.00	RLS35	Rubber	SGL	Spring	S (NBR)
17x30x6-R2LS32-S	17.00	30.00	6.00	R2LS32	Rubber	MULTI	Spring	S (NBR)
17x30x6-RLS35-S	17.00	30.00	6.00	RLS35	Rubber	SGL	Spring	S (NBR)
17x30x7-R2LS32-S	17.00	30.00	7.00	R2LS32	Rubber	MULTI	Spring	S (NBR)
17x30x7-R2LS32-V	17.00	30.00	7.00	R2LS32	Rubber	MULTI	Spring	V (FKM)
17x30x7-RLS35-S	17.00	30.00	7.00	RLS35	Rubber	SGL	Spring	S (NBR)
17x30x7-RLS35-V	17.00	30.00	7.00	RLS35	Rubber	SGL	Spring	V (FKM)
17x30x8-RLS35-S	17.00	30.00	8.00	RLS35	Rubber	SGL	Spring	S (NBR)
17x32x7-R2LS32-S	17.00	32.00	7.00	R2LS32	Rubber	MULTI	Spring	S (NBR)
17x32x7-RLS35-S	17.00	32.00	7.00	RLS35	Rubber	SGL	Spring	S (NBR)
17x35x7-R2LS32-S	17.00	35.00	7.00	R2LS32	Rubber	MULTI	Spring	S (NBR)
17x35x7-RLS35-S	17.00	35.00	7.00	RLS35	Rubber	SGL	Spring	S (NBR)
17x35x7-RLS35-V	17.00	35.00	7.00	RLS35	Rubber	SGL	Spring	V (FKM)
17x35x8-RLS35-S	17.00	35.00	8.00	RLS35	Rubber	SGL	Spring	S (NBR)
17x37x7-R2LS32-S	17.00	37.00	7.00	R2LS32	Rubber	MULTI	Spring	S (NBR)
17x37x10-R2LS32-S	17.00	37.00	10.00	R2LS32	Rubber	MULTI	Spring	S (NBR)
17x40x7-R2LS32-S	17.00	40.00	7.00	R2LS32	Rubber	MULTI	Spring	S (NBR)
17x40x7-RLS35-S	17.00	40.00	7.00	RLS35	Rubber	SGL	Spring	S (NBR)
17x40x10-RLS35-S	17.00	40.00	10.00	RLS35	Rubber	SGL	Spring	S (NBR)
17x45x7-R2LS32-S	17.00	45.00	7.00	R2LS32	Rubber	MULTI	Spring	S (NBR)

SKUs available in single and bulk pack.
 All sizes can be made available in Viton® with MOQ and lead time.
 Viton® is a registered trademark of E.I. du Pont de Nemours and Company.
 Please contact your Timken sales engineer for more information.



Continued on next page.

OIL SEAL PRODUCT TABLE

Continued from previous page.

Timken Part Number	Shaft	Bore	Width	Model	O.D. Type	Lip	Spring	Lip Material
	mm	mm	mm					
17x47x7-R2LS32-S	17.00	47.00	7.00	R2LS32	Rubber	MULTI	Spring	S (NBR)
17x47x8-R2LS32-S	17.00	47.00	8.00	R2LS32	Rubber	MULTI	Spring	S (NBR)
17x47x10-RLS35-S	17.00	47.00	10.00	RLS35	Rubber	SGL	Spring	S (NBR)
Shaft 18.0 mm								
18x26x4-R2LS32-S	18.00	26.00	4.00	R2LS32	Rubber	MULTI	Spring	S (NBR)
18x28x6-RLS35-S	18.00	28.00	6.00	RLS35	Rubber	SGL	Spring	S (NBR)
18x28x7-R2LS32-S	18.00	28.00	7.00	R2LS32	Rubber	MULTI	Spring	S (NBR)
18x28x7-RLS35-S	18.00	28.00	7.00	RLS35	Rubber	SGL	Spring	S (NBR)
18x28x7-RLS35-V	18.00	28.00	7.00	RLS35	Rubber	SGL	Spring	V (FKM)
18x28x8-RLS35-S	18.00	28.00	8.00	RLS35	Rubber	SGL	Spring	S (NBR)
18x30x7-R2LS32-S	18.00	30.00	7.00	R2LS32	Rubber	MULTI	Spring	S (NBR)
18x30x7-RLS35-S	18.00	30.00	7.00	RLS35	Rubber	SGL	Spring	S (NBR)
18x32x7-R2LS32-S	18.00	32.00	7.00	R2LS32	Rubber	MULTI	Spring	S (NBR)
18x32x7-RLS35-S	18.00	32.00	7.00	RLS35	Rubber	SGL	Spring	S (NBR)
18x32x8-RLS35-S	18.00	32.00	8.00	RLS35	Rubber	SGL	Spring	S (NBR)
18x35x7-R2LS32-S	18.00	35.00	7.00	R2LS32	Rubber	MULTI	Spring	S (NBR)
18x35x7-RLS35-V	18.00	35.00	7.00	RLS35	Rubber	SGL	Spring	V (FKM)
18x36x7-R2LS32-S	18.00	36.00	7.00	R2LS32	Rubber	MULTI	Spring	S (NBR)
18x37x8-R2LS32-S	18.00	37.00	8.00	R2LS32	Rubber	MULTI	Spring	S (NBR)
18x38x7-R2LS32-S	18.00	38.00	7.00	R2LS32	Rubber	MULTI	Spring	S (NBR)
18x40x7-R2LS32-S	18.00	40.00	7.00	R2LS32	Rubber	MULTI	Spring	S (NBR)
18x40x7-RLS35-S	18.00	40.00	7.00	RLS35	Rubber	SGL	Spring	S (NBR)
18x40x7-RLS35-V	18.00	40.00	7.00	RLS35	Rubber	SGL	Spring	V (FKM)
Shaft 19.0 mm								
19x27x6-RLS35-S	19.00	27.00	6.00	RLS35	Rubber	SGL	Spring	S (NBR)
19x27x6-RLS35-V	19.00	27.00	6.00	RLS35	Rubber	SGL	Spring	V (FKM)
19x30x7-RLS35-S	19.00	30.00	7.00	RLS35	Rubber	SGL	Spring	S (NBR)
19x30x8-RLS35-S	19.00	30.00	8.00	RLS35	Rubber	SGL	Spring	S (NBR)
19x32x7-R2LS32-S	19.00	32.00	7.00	R2LS32	Rubber	MULTI	Spring	S (NBR)
19x32x7-RLS35-S	19.00	32.00	7.00	RLS35	Rubber	SGL	Spring	S (NBR)
19x32x8-R2LS32-S	19.00	32.00	8.00	R2LS32	Rubber	MULTI	Spring	S (NBR)
19x35x7-R2LS32-S	19.00	35.00	7.00	R2LS32	Rubber	MULTI	Spring	S (NBR)
19x35x10-R2LS32-S	19.00	35.00	10.00	R2LS32	Rubber	MULTI	Spring	S (NBR)
19x35x10-RLS35-S	19.00	35.00	10.00	RLS35	Rubber	SGL	Spring	S (NBR)
19x36x7-R2LS32-S	19.00	36.00	7.00	R2LS32	Rubber	MULTI	Spring	S (NBR)
19x40x10-R2LS32-S	19.00	40.00	10.00	R2LS32	Rubber	MULTI	Spring	S (NBR)
19x40x10-RLS35-S	19.00	40.00	10.00	RLS35	Rubber	SGL	Spring	S (NBR)

SKUs available in single and bulk pack.
 All sizes can be made available in Viton® with MOQ and lead time.
 Viton® is a registered trademark of E.I. du Pont de Nemours and Company.
 Please contact your Timken sales engineer for more information.



Continued on next page.

Continued from previous page.

Timken Part Number	Shaft	Bore	Width	Model	O.D. Type	Lip	Spring	Lip Material
	mm	mm	mm					
19x42x7-R2LS32-S	19.00	42.00	7.00	R2LS32	Rubber	MULTI	Spring	S (NBR)
19x45x7-R2LS32-S	19.00	45.00	7.00	R2LS32	Rubber	MULTI	Spring	S (NBR)
19x47x7-R2LS32-S	19.00	47.00	7.00	R2LS32	Rubber	MULTI	Spring	S (NBR)
Shaft 20.0 mm								
20x26x4-R2LS32-S	20.00	26.00	4.00	R2LS32	Rubber	MULTI	Spring	S (NBR)
20x26x4-RLS35-S	20.00	26.00	4.00	RLS35	Rubber	SGL	Spring	S (NBR)
20x28x4-R2LS32-S	20.00	28.00	4.00	R2LS32	Rubber	MULTI	Spring	S (NBR)
20x28x6-RLS35-S	20.00	28.00	6.00	RLS35	Rubber	SGL	Spring	S (NBR)
20x30x5-R2LS32-S	20.00	30.00	5.00	R2LS32	Rubber	MULTI	Spring	S (NBR)
20x30x5-RLS35-S	20.00	30.00	5.00	RLS35	Rubber	SGL	Spring	S (NBR)
20x30x5-RLS35-V	20.00	30.00	5.00	RLS35	Rubber	SGL	Spring	V (FKM)
20x30x7-R2LS32-S	20.00	30.00	7.00	R2LS32	Rubber	MULTI	Spring	S (NBR)
20x30x7-RLS35-S	20.00	30.00	7.00	RLS35	Rubber	SGL	Spring	S (NBR)
20x32x7-R2LS32-S	20.00	32.00	7.00	R2LS32	Rubber	MULTI	Spring	S (NBR)
20x32x7-RLS35-S	20.00	32.00	7.00	RLS35	Rubber	SGL	Spring	S (NBR)
20x32x7-RLS35-V	20.00	32.00	7.00	RLS35	Rubber	SGL	Spring	V (FKM)
20x32x8-RLS35-S	20.00	32.00	8.00	RLS35	Rubber	SGL	Spring	S (NBR)
20x35x5.5-RLS35-S	20.00	35.00	5.50	RLS35	Rubber	SGL	Spring	S (NBR)
20x35x6-RLS35-S	20.00	35.00	6.00	RLS35	Rubber	SGL	Spring	S (NBR)
20x35x7-R2LS32-S	20.00	35.00	7.00	R2LS32	Rubber	MULTI	Spring	S (NBR)
20x35x7-RLS35-S	20.00	35.00	7.00	RLS35	Rubber	SGL	Spring	S (NBR)
20x35x7-RLS35-V	20.00	35.00	7.00	RLS35	Rubber	SGL	Spring	V (FKM)
20x35x8-R2LS32-S	20.00	35.00	8.00	R2LS32	Rubber	MULTI	Spring	S (NBR)
20x35x10-R2LS32-S	20.00	35.00	10.00	R2LS32	Rubber	MULTI	Spring	S (NBR)
20x35x10-RLS35-S	20.00	35.00	10.00	RLS35	Rubber	SGL	Spring	S (NBR)
20x35x11-R2LS32-S	20.00	35.00	11.00	R2LS32	Rubber	MULTI	Spring	S (NBR)
20x36x7-R2LS32-S	20.00	36.00	7.00	R2LS32	Rubber	MULTI	Spring	S (NBR)
20x36x7-RLS35-S	20.00	36.00	7.00	RLS35	Rubber	SGL	Spring	S (NBR)
20x37x7-R2LS32-S	20.00	37.00	7.00	R2LS32	Rubber	MULTI	Spring	S (NBR)
20x38x7-R2LS32-S	20.00	38.00	7.00	R2LS32	Rubber	MULTI	Spring	S (NBR)
20x38x7-RLS35-S	20.00	38.00	7.00	RLS35	Rubber	SGL	Spring	S (NBR)
20x38x8-RLS35-S	20.00	38.00	8.00	RLS35	Rubber	SGL	Spring	S (NBR)
20x40x7-R2LS32-S	20.00	40.00	7.00	R2LS32	Rubber	MULTI	Spring	S (NBR)
20x40x7-R2LS32-V	20.00	40.00	7.00	R2LS32	Rubber	MULTI	Spring	V (FKM)
20x40x7-RLS35-S	20.00	40.00	7.00	RLS35	Rubber	SGL	Spring	S (NBR)
20x40x7-RLS35-V	20.00	40.00	7.00	RLS35	Rubber	SGL	Spring	V (FKM)
20x40x8-R2LS32-S	20.00	40.00	8.00	R2LS32	Rubber	MULTI	Spring	S (NBR)

SKUs available in single and bulk pack.
 All sizes can be made available in Viton® with MOQ and lead time.
 Viton® is a registered trademark of E.I. du Pont de Nemours and Company.
 Please contact your Timken sales engineer for more information.



Continued on next page.

OIL SEAL PRODUCT TABLE

Continued from previous page.

Timken Part Number	Shaft	Bore	Width	Model	O.D. Type	Lip	Spring	Lip Material
	mm	mm	mm					
20x40x10-R2LS32-S	20.00	40.00	10.00	R2LS32	Rubber	MULTI	Spring	S (NBR)
20x40x10-RLS35-S	20.00	40.00	10.00	RLS35	Rubber	SGL	Spring	S (NBR)
20x42x7-R2LS32-S	20.00	42.00	7.00	R2LS32	Rubber	MULTI	Spring	S (NBR)
20x42x7-RLS35-S	20.00	42.00	7.00	RLS35	Rubber	SGL	Spring	S (NBR)
20x42x8-R2LS32-S	20.00	42.00	8.00	R2LS32	Rubber	MULTI	Spring	S (NBR)
20x42x10-R2LS32-S	20.00	42.00	10.00	R2LS32	Rubber	MULTI	Spring	S (NBR)
20x42x10-RLS35-S	20.00	42.00	10.00	RLS35	Rubber	SGL	Spring	S (NBR)
20x45x7-R2LS32-S	20.00	45.00	7.00	R2LS32	Rubber	MULTI	Spring	S (NBR)
20x47x7-R2LS32-S	20.00	47.00	7.00	R2LS32	Rubber	MULTI	Spring	S (NBR)
20x47x7-R2LS32-V	20.00	47.00	7.00	R2LS32	Rubber	MULTI	Spring	V (FKM)
20x47x7-RLS35-S	20.00	47.00	7.00	RLS35	Rubber	SGL	Spring	S (NBR)
20x47x7-RLS35-V	20.00	47.00	7.00	RLS35	Rubber	SGL	Spring	V (FKM)
20x47x10-R2LS32-S	20.00	47.00	10.00	R2LS32	Rubber	MULTI	Spring	S (NBR)
20x47x10-RLS35-S	20.00	47.00	10.00	RLS35	Rubber	SGL	Spring	S (NBR)
20x52x7-R2LS32-S	20.00	52.00	7.00	R2LS32	Rubber	MULTI	Spring	S (NBR)
20x52x7-RLS35-S	20.00	52.00	7.00	RLS35	Rubber	SGL	Spring	S (NBR)
20x52x8-R2LS32-S	20.00	52.00	8.00	R2LS32	Rubber	MULTI	Spring	S (NBR)
20x52x10-R2LS32-S	20.00	52.00	10.00	R2LS32	Rubber	MULTI	Spring	S (NBR)
20x52x10-RLS35-S	20.00	52.00	10.00	RLS35	Rubber	SGL	Spring	S (NBR)
Shaft 22.0 mm								
22x28x4-R2LS32-S	22.00	28.00	4.00	R2LS32	Rubber	MULTI	Spring	S (NBR)
22x32x7-R2LS32-S	22.00	32.00	7.00	R2LS32	Rubber	MULTI	Spring	S (NBR)
22x32x7-RLS35-S	22.00	32.00	7.00	RLS35	Rubber	SGL	Spring	S (NBR)
22x34x7-R2LS32-S	22.00	34.00	7.00	R2LS32	Rubber	MULTI	Spring	S (NBR)
22x35x6-RLS35-S	22.00	35.00	6.00	RLS35	Rubber	SGL	Spring	S (NBR)
22x35x7-R2LS32-S	22.00	35.00	7.00	R2LS32	Rubber	MULTI	Spring	S (NBR)
22x35x7-RLS35-S	22.00	35.00	7.00	RLS35	Rubber	SGL	Spring	S (NBR)
22x35x7-RLS35-V	22.00	35.00	7.00	RLS35	Rubber	SGL	Spring	V (FKM)
22x35x8-R2LS32-S	22.00	35.00	8.00	R2LS32	Rubber	MULTI	Spring	S (NBR)
22x35x10-RLS35-S	22.00	35.00	10.00	RLS35	Rubber	SGL	Spring	S (NBR)
22x36x7-R2LS32-S	22.00	36.00	7.00	R2LS32	Rubber	MULTI	Spring	S (NBR)
22x36x7-R2LS32-V	22.00	36.00	7.00	R2LS32	Rubber	MULTI	Spring	V (FKM)
22x36x8-R2LS32-S	22.00	36.00	8.00	R2LS32	Rubber	MULTI	Spring	S (NBR)
22x38x7-R2LS32-S	22.00	38.00	7.00	R2LS32	Rubber	MULTI	Spring	S (NBR)
22x38x7-RLS35-S	22.00	38.00	7.00	RLS35	Rubber	SGL	Spring	S (NBR)
22x38x8-R2LS32-S	22.00	38.00	8.00	R2LS32	Rubber	MULTI	Spring	S (NBR)
22x40x7-R2LS32-S	22.00	40.00	7.00	R2LS32	Rubber	MULTI	Spring	S (NBR)

SKUs available in single and bulk pack.
 All sizes can be made available in Viton® with MOQ and lead time.
 Viton® is a registered trademark of E.I. du Pont de Nemours and Company.
 Please contact your Timken sales engineer for more information.



Continued on next page.

Continued from previous page.

Timken Part Number	Shaft	Bore	Width	Model	O.D. Type	Lip	Spring	Lip Material
	mm	mm	mm					
22x40x7-R2LS32-V	22.00	40.00	7.00	R2LS32	Rubber	MULTI	Spring	V (FKM)
22x40x7-RLS35-S	22.00	40.00	7.00	RLS35	Rubber	SGL	Spring	S (NBR)
22x40x7-RLS35-V	22.00	40.00	7.00	RLS35	Rubber	SGL	Spring	V (FKM)
22x40x10-RLS35-S	22.00	40.00	10.00	RLS35	Rubber	SGL	Spring	S (NBR)
22x40x12-R2LS32-S	22.00	40.00	12.00	R2LS32	Rubber	MULTI	Spring	S (NBR)
22x42x8-R2LS32-S	22.00	42.00	8.00	R2LS32	Rubber	MULTI	Spring	S (NBR)
22x42x10-R2LS32-S	22.00	42.00	10.00	R2LS32	Rubber	MULTI	Spring	S (NBR)
22x42x10-RLS35-S	22.00	42.00	10.00	RLS35	Rubber	SGL	Spring	S (NBR)
22x43x8-R2LS32-S	22.00	43.00	8.00	R2LS32	Rubber	MULTI	Spring	S (NBR)
22x45x7-R2LS32-S	22.00	45.00	7.00	R2LS32	Rubber	MULTI	Spring	S (NBR)
22x45x7-RLS35-S	22.00	45.00	7.00	RLS35	Rubber	SGL	Spring	S (NBR)
22x47x7-R2LS32-S	22.00	47.00	7.00	R2LS32	Rubber	MULTI	Spring	S (NBR)
22x47x7-RLS35-S	22.00	47.00	7.00	RLS35	Rubber	SGL	Spring	S (NBR)
22x52x8-R2LS32-S	22.00	52.00	8.00	R2LS32	Rubber	MULTI	Spring	S (NBR)
Shaft 23.0 mm								
23x40x8-RLS35-S	23.00	40.00	8.00	RLS35	Rubber	SGL	Spring	S (NBR)
23x40x10-R2LS32-S	23.00	40.00	10.00	R2LS32	Rubber	MULTI	Spring	S (NBR)
23x40x10-RLS35-S	23.00	40.00	10.00	RLS35	Rubber	SGL	Spring	S (NBR)
23x42x11-RLS35-S	23.00	42.00	11.00	RLS35	Rubber	SGL	Spring	S (NBR)
Shaft 24.0 mm								
24x34x7-R2LS32-S	24.00	34.00	7.00	R2LS32	Rubber	MULTI	Spring	S (NBR)
24x35x7-R2LS32-S	24.00	35.00	7.00	R2LS32	Rubber	MULTI	Spring	S (NBR)
24x35x7-RLS35-S	24.00	35.00	7.00	RLS35	Rubber	SGL	Spring	S (NBR)
24x36x7-R2LS32-S	24.00	36.00	7.00	R2LS32	Rubber	MULTI	Spring	S (NBR)
24x37x7-R2LS32-S	24.00	37.00	7.00	R2LS32	Rubber	MULTI	Spring	S (NBR)
24x37x7-RLS35-S	24.00	37.00	7.00	RLS35	Rubber	SGL	Spring	S (NBR)
24x38x8-R2LS32-S	24.00	38.00	8.00	R2LS32	Rubber	MULTI	Spring	S (NBR)
24x38x8-RLS35-S	24.00	38.00	8.00	RLS35	Rubber	SGL	Spring	S (NBR)
24x40x7-R2LS32-S	24.00	40.00	7.00	R2LS32	Rubber	MULTI	Spring	S (NBR)
24x40x7-R2LS32-V	24.00	40.00	7.00	R2LS32	Rubber	MULTI	Spring	V (FKM)
24x40x7-RLS35-S	24.00	40.00	7.00	RLS35	Rubber	SGL	Spring	S (NBR)
24x40x7-RLS35-V	24.00	40.00	7.00	RLS35	Rubber	SGL	Spring	V (FKM)
24x40x8-R2LS32-S	24.00	40.00	8.00	R2LS32	Rubber	MULTI	Spring	S (NBR)
24x42x7-R2LS32-S	24.00	42.00	7.00	R2LS32	Rubber	MULTI	Spring	S (NBR)
24x42x8-RLS35-S	24.00	42.00	8.00	RLS35	Rubber	SGL	Spring	S (NBR)
24x42x10-RLS35-S	24.00	42.00	10.00	RLS35	Rubber	SGL	Spring	S (NBR)
24x47x7-R2LS32-S	24.00	47.00	7.00	R2LS32	Rubber	MULTI	Spring	S (NBR)

SKUs available in single and bulk pack.
 All sizes can be made available in Viton® with MOQ and lead time.
 Viton® is a registered trademark of E.I. du Pont de Nemours and Company.
 Please contact your Timken sales engineer for more information.



Continued on next page.

OIL SEAL PRODUCT TABLE

Continued from previous page.

Timken Part Number	Shaft	Bore	Width	Model	O.D. Type	Lip	Spring	Lip Material
	mm	mm	mm					
24x47x7-RLS35-S	24.00	47.00	7.00	RLS35	Rubber	SGL	Spring	S (NBR)
24x50x8-R2LS32-S	24.00	50.00	8.00	R2LS32	Rubber	MULTI	Spring	S (NBR)
24x52x7-R2LS32-S	24.00	52.00	7.00	R2LS32	Rubber	MULTI	Spring	S (NBR)
24x52x8-R2LS32-S	24.00	52.00	8.00	R2LS32	Rubber	MULTI	Spring	S (NBR)
Shaft 25.0 mm								
25x32x4-R2LS32-S	25.00	32.00	4.00	R2LS32	Rubber	MULTI	Spring	S (NBR)
25x32x4-RLS35-S	25.00	32.00	4.00	RLS35	Rubber	SGL	Spring	S (NBR)
25x32x7-R2LS32-S	25.00	32.00	7.00	R2LS32	Rubber	MULTI	Spring	S (NBR)
25x33x6-RLS35-S	25.00	33.00	6.00	RLS35	Rubber	SGL	Spring	S (NBR)
25x35x4-R2LS32-S	25.00	35.00	4.00	R2LS32	Rubber	MULTI	Spring	S (NBR)
25x35x6-R2LS32-S	25.00	35.00	6.00	R2LS32	Rubber	MULTI	Spring	S (NBR)
25x35x7-R2LS32-S	25.00	35.00	7.00	R2LS32	Rubber	MULTI	Spring	S (NBR)
25x35x7-R2LS32-V	25.00	35.00	7.00	R2LS32	Rubber	MULTI	Spring	V (FKM)
25x35x7-RLS35-S	25.00	35.00	7.00	RLS35	Rubber	SGL	Spring	S (NBR)
25x35x7-RLS35-V	25.00	35.00	7.00	RLS35	Rubber	SGL	Spring	V (FKM)
25x36x7-R2LS32-S	25.00	36.00	7.00	R2LS32	Rubber	MULTI	Spring	S (NBR)
25x36x8-R2LS32-S	25.00	36.00	8.00	R2LS32	Rubber	MULTI	Spring	S (NBR)
25x37x6-R2LS32-S	25.00	37.00	6.00	R2LS32	Rubber	MULTI	Spring	S (NBR)
25x37x6-RLS35-S	25.00	37.00	6.00	RLS35	Rubber	SGL	Spring	S (NBR)
25x37x7-R2LS32-S	25.00	37.00	7.00	R2LS32	Rubber	MULTI	Spring	S (NBR)
25x37x7-RLS35-S	25.00	37.00	7.00	RLS35	Rubber	SGL	Spring	S (NBR)
25x37x8.5-R2LS32-S	25.00	37.00	8.50	R2LS32	Rubber	MULTI	Spring	S (NBR)
25x37x8.5-RLS35-S	25.00	37.00	8.50	RLS35	Rubber	SGL	Spring	S (NBR)
25x38x7-R2LS32-S	25.00	38.00	7.00	R2LS32	Rubber	MULTI	Spring	S (NBR)
25x38x7 R2LS32-V	25.00	38.00	7.00	R2LS32	Rubber	MULTI	Spring	V (FKM)
25x38x7-RLS35-S	25.00	38.00	7.00	RLS35	Rubber	SGL	Spring	S (NBR)
25x38x8-R2LS32-S	25.00	38.00	8.00	R2LS32	Rubber	MULTI	Spring	S (NBR)
25x39x7-R2LS32-S	25.00	39.00	7.00	R2LS32	Rubber	MULTI	Spring	S (NBR)
25x40x5-RLS35-S	25.00	40.00	5.00	RLS35	Rubber	SGL	Spring	S (NBR)
25x40x7-R2LS32-S	25.00	40.00	7.00	R2LS32	Rubber	MULTI	Spring	S (NBR)
25x40x7 R2LS32-V	25.00	40.00	7.00	R2LS32	Rubber	MULTI	Spring	V (FKM)
25x40x7-RLS35-S	25.00	40.00	7.00	RLS35	Rubber	SGL	Spring	S (NBR)
25x40x7-RLS35-V	25.00	40.00	7.00	RLS35	Rubber	SGL	Spring	V (FKM)
25x40x8-R2LS32-S	25.00	40.00	8.00	R2LS32	Rubber	MULTI	Spring	S (NBR)
25x40x8-RLS35-S	25.00	40.00	8.00	RLS35	Rubber	SGL	Spring	S (NBR)
25x40x10-R2LS32-S	25.00	40.00	10.00	R2LS32	Rubber	MULTI	Spring	S (NBR)
25x40x10-RLS35-S	25.00	40.00	10.00	RLS35	Rubber	SGL	Spring	S (NBR)

SKUs available in single and bulk pack.
 All sizes can be made available in Viton® with MOQ and lead time.
 Viton® is a registered trademark of E.I. du Pont de Nemours and Company.
 Please contact your Timken sales engineer for more information.



Continued on next page.

Continued from previous page.

Timken Part Number	Shaft	Bore	Width	Model	O.D. Type	Lip	Spring	Lip Material
	mm	mm	mm					
25x42x6-R2LS32-S	25.00	42.00	6.00	R2LS32	Rubber	MULTI	Spring	S (NBR)
25x42x6-RLS35-S	25.00	42.00	6.00	RLS35	Rubber	SGL	Spring	S (NBR)
25x42x7-R2LS32-S	25.00	42.00	7.00	R2LS32	Rubber	MULTI	Spring	S (NBR)
25x42x7-RLS35-S	25.00	42.00	7.00	RLS35	Rubber	SGL	Spring	S (NBR)
25x42x8-R2LS32-S	25.00	42.00	8.00	R2LS32	Rubber	MULTI	Spring	S (NBR)
25x42x8.5-RLS35-S	25.00	42.00	8.50	RLS35	Rubber	SGL	Spring	S (NBR)
25x42x10-R2LS32-S	25.00	42.00	10.00	R2LS32	Rubber	MULTI	Spring	S (NBR)
25x42x10-R2LS32-V	25.00	42.00	10.00	R2LS32	Rubber	MULTI	Spring	V (FKM)
25x42x10-RLS35-S	25.00	42.00	10.00	RLS35	Rubber	SGL	Spring	S (NBR)
25x42x10-RLS35-V	25.00	42.00	10.00	RLS35	Rubber	SGL	Spring	V (FKM)
25x45x5-RLS35-S	25.00	45.00	5.00	RLS35	Rubber	SGL	Spring	S (NBR)
25x45x7-R2LS32-S	25.00	45.00	7.00	R2LS32	Rubber	MULTI	Spring	S (NBR)
25x45x7-RLS35-S	25.00	45.00	7.00	RLS35	Rubber	SGL	Spring	S (NBR)
25x45x8-R2LS32-S	25.00	45.00	8.00	R2LS32	Rubber	MULTI	Spring	S (NBR)
25x45x8-RLS35-S	25.00	45.00	8.00	RLS35	Rubber	SGL	Spring	S (NBR)
25x45x10-R2LS32-S	25.00	45.00	10.00	R2LS32	Rubber	MULTI	Spring	S (NBR)
25x45x10-R2LS32-V	25.00	45.00	10.00	R2LS32	Rubber	MULTI	Spring	V (FKM)
25x45x10-RLS35-S	25.00	45.00	10.00	RLS35	Rubber	SGL	Spring	S (NBR)
25x45x11-R2LS32-S	25.00	45.00	11.00	R2LS32	Rubber	MULTI	Spring	S (NBR)
25x46x7-R2LS32-S	25.00	46.00	7.00	R2LS32	Rubber	MULTI	Spring	S (NBR)
25x46x7-RLS35-S	25.00	46.00	7.00	RLS35	Rubber	SGL	Spring	S (NBR)
25x47x7-R2LS32-S	25.00	47.00	7.00	R2LS32	Rubber	MULTI	Spring	S (NBR)
25x47x7-RLS35-S	25.00	47.00	7.00	RLS35	Rubber	SGL	Spring	S (NBR)
25x47x7-RLS35-V	25.00	47.00	7.00	RLS35	Rubber	SGL	Spring	V (FKM)
25x47x10-R2LS32-S	25.00	47.00	10.00	R2LS32	Rubber	MULTI	Spring	S (NBR)
25x47x10-RLS35-S	25.00	47.00	10.00	RLS35	Rubber	SGL	Spring	S (NBR)
25x48x8-R2LS32-S	25.00	48.00	8.00	R2LS32	Rubber	MULTI	Spring	S (NBR)
25x50x8-R2LS32-S	25.00	50.00	8.00	R2LS32	Rubber	MULTI	Spring	S (NBR)
25x50x10-R2LS32-S	25.00	50.00	10.00	R2LS32	Rubber	MULTI	Spring	S (NBR)
25x50x10-R2LS32-V	25.00	50.00	10.00	R2LS32	Rubber	MULTI	Spring	V (FKM)
25x50x10-RLS35-S	25.00	50.00	10.00	RLS35	Rubber	SGL	Spring	S (NBR)
25x50x10-RLS35-V	25.00	50.00	10.00	RLS35	Rubber	SGL	Spring	V (FKM)
25x52x7-R2LS32-S	25.00	52.00	7.00	R2LS32	Rubber	MULTI	Spring	S (NBR)
25x52x7-RLS35-S	25.00	52.00	7.00	RLS35	Rubber	SGL	Spring	S (NBR)
25x52x8-R2LS32-S	25.00	52.00	8.00	R2LS32	Rubber	MULTI	Spring	S (NBR)
25x52x8-RLS35-S	25.00	52.00	8.00	RLS35	Rubber	SGL	Spring	S (NBR)
25x52x10-R2LS32-S	25.00	52.00	10.00	R2LS32	Rubber	MULTI	Spring	S (NBR)

SKUs available in single and bulk pack.
 All sizes can be made available in Viton® with MOQ and lead time.
 Viton® is a registered trademark of E.I. du Pont de Nemours and Company.
 Please contact your Timken sales engineer for more information.



Continued on next page.

OIL SEAL PRODUCT TABLE

Continued from previous page.

Timken Part Number	Shaft	Bore	Width	Model	O.D. Type	Lip	Spring	Lip Material
	mm	mm	mm					
25x52x10-RLS35-S	25.00	52.00	10.00	RLS35	Rubber	SGL	Spring	S (NBR)
25x62x7-R2LS32-S	25.00	62.00	7.00	R2LS32	Rubber	MULTI	Spring	S (NBR)
25x62x7-RLS35-S	25.00	62.00	7.00	RLS35	Rubber	SGL	Spring	S (NBR)
25x62x8-RLS35-S	25.00	62.00	8.00	RLS35	Rubber	SGL	Spring	S (NBR)
25x62x10-R2LS32-S	25.00	62.00	10.00	R2LS32	Rubber	MULTI	Spring	S (NBR)
25x62x10-RLS35-S	25.00	62.00	10.00	RLS35	Rubber	SGL	Spring	S (NBR)
Shaft 26.0 mm								
26x37x7-R2LS32-S	26.00	37.00	7.00	R2LS32	Rubber	MULTI	Spring	S (NBR)
26x37x7-RLS35-S	26.00	37.00	7.00	RLS35	Rubber	SGL	Spring	S (NBR)
26x38x5-R2LS32-S	26.00	38.00	5.00	R2LS32	Rubber	MULTI	Spring	S (NBR)
26x38x7-R2LS32-S	26.00	38.00	7.00	R2LS32	Rubber	MULTI	Spring	S (NBR)
26x38x8-RLS35-S	26.00	38.00	8.00	RLS35	Rubber	SGL	Spring	S (NBR)
26x40x7-R2LS32-S	26.00	40.00	7.00	R2LS32	Rubber	MULTI	Spring	S (NBR)
26x40x8-R2LS32-S	26.00	40.00	8.00	R2LS32	Rubber	MULTI	Spring	S (NBR)
26x40x8-RLS35-S	26.00	40.00	8.00	RLS35	Rubber	SGL	Spring	S (NBR)
26x42x7-R2LS32-S	26.00	42.00	7.00	R2LS32	Rubber	MULTI	Spring	S (NBR)
26x42x7-RLS35-S	26.00	42.00	7.00	RLS35	Rubber	SGL	Spring	S (NBR)
26x42x8-RLS35-S	26.00	42.00	8.00	RLS35	Rubber	SGL	Spring	S (NBR)
26x42x10-R2LS32-S	26.00	42.00	10.00	R2LS32	Rubber	MULTI	Spring	S (NBR)
26x47x7-R2LS32-S	26.00	47.00	7.00	R2LS32	Rubber	MULTI	Spring	S (NBR)
26x47x7-RLS35-S	26.00	47.00	7.00	RLS35	Rubber	SGL	Spring	S (NBR)
26x48x7-R2LS32-S	26.00	48.00	7.00	R2LS32	Rubber	MULTI	Spring	S (NBR)
26x48x10-R2LS32-S	26.00	48.00	10.00	R2LS32	Rubber	MULTI	Spring	S (NBR)
26x52x8-R2LS32-S	26.00	52.00	8.00	R2LS32	Rubber	MULTI	Spring	S (NBR)
26x52x8-RLS35-S	26.00	52.00	8.00	RLS35	Rubber	SGL	Spring	S (NBR)
26x52x10-R2LS32-S	26.00	52.00	10.00	R2LS32	Rubber	MULTI	Spring	S (NBR)
Shaft 27.0 mm								
27x37x7-R2LS32-S	27.00	37.00	7.00	R2LS32	Rubber	MULTI	Spring	S (NBR)
27x37x7-RLS35-S	27.00	37.00	7.00	RLS35	Rubber	SGL	Spring	S (NBR)
27x37x7-RLS35-V	27.00	37.00	7.00	RLS35	Rubber	SGL	Spring	V (FKM)
27x40x8-R2LS32-S	27.00	40.00	8.00	R2LS32	Rubber	MULTI	Spring	S (NBR)
27x42x7-R2LS32-S	27.00	42.00	7.00	R2LS32	Rubber	MULTI	Spring	S (NBR)
27x42x10-R2LS32-S	27.00	42.00	10.00	R2LS32	Rubber	MULTI	Spring	S (NBR)
27x42x10-RLS35-V	27.00	42.00	10.00	RLS35	Rubber	SGL	Spring	V (FKM)
27x45x8-RLS35-S	27.00	45.00	8.00	RLS35	Rubber	SGL	Spring	S (NBR)
27x47x7-RLS35-S	27.00	47.00	7.00	RLS35	Rubber	SGL	Spring	S (NBR)
27x47x8-R2LS32-S	27.00	47.00	8.00	R2LS32	Rubber	MULTI	Spring	S (NBR)

SKUs available in single and bulk pack.
 All sizes can be made available in Viton® with MOQ and lead time.
 Viton® is a registered trademark of E.I. du Pont de Nemours and Company.
 Please contact your Timken sales engineer for more information.



Continued on next page.

Continued from previous page.

Timken Part Number	Shaft	Bore	Width	Model	O.D. Type	Lip	Spring	Lip Material
	mm	mm	mm					
27x47x10-R2LS32-S	27.00	47.00	10.00	R2LS32	Rubber	MULTI	Spring	S (NBR)
27x47x10-RLS35-S	27.00	47.00	10.00	RLS35	Rubber	SGL	Spring	S (NBR)
Shaft 28.0 mm								
28x37x4-R2LS32-S	28.00	37.00	4.00	R2LS32	Rubber	MULTI	Spring	S (NBR)
28x38x7-R2LS32-S	28.00	38.00	7.00	R2LS32	Rubber	MULTI	Spring	S (NBR)
28x38x7-RLS35-S	28.00	38.00	7.00	RLS35	Rubber	SGL	Spring	S (NBR)
28x38x8-R2LS32-S	28.00	38.00	8.00	R2LS32	Rubber	MULTI	Spring	S (NBR)
28x38x8-RLS35-S	28.00	38.00	8.00	RLS35	Rubber	SGL	Spring	S (NBR)
28x40x7-R2LS32-S	28.00	40.00	7.00	R2LS32	Rubber	MULTI	Spring	S (NBR)
28x40x7-R2LS32-V	28.00	40.00	7.00	R2LS32	Rubber	MULTI	Spring	V (FKM)
28x40x7-RLS35-S	28.00	40.00	7.00	RLS35	Rubber	SGL	Spring	S (NBR)
28x40x7-RLS35-V	28.00	40.00	7.00	RLS35	Rubber	SGL	Spring	V (FKM)
28x40x8-R2LS32-S	28.00	40.00	8.00	R2LS32	Rubber	MULTI	Spring	S (NBR)
28x42x7-R2LS32-S	28.00	42.00	7.00	R2LS32	Rubber	MULTI	Spring	S (NBR)
28x42x8-R2LS32-S	28.00	42.00	8.00	R2LS32	Rubber	MULTI	Spring	S (NBR)
28x42x8-RLS35-S	28.00	42.00	8.00	RLS35	Rubber	SGL	Spring	S (NBR)
28x42x10-R2LS32-S	28.00	42.00	10.00	R2LS32	Rubber	MULTI	Spring	S (NBR)
28x42x10-RLS35-S	28.00	42.00	10.00	RLS35	Rubber	SGL	Spring	S (NBR)
28x43x7-R2LS32-S	28.00	43.00	7.00	R2LS32	Rubber	MULTI	Spring	S (NBR)
28x43x10-RLS35-S	28.00	43.00	10.00	RLS35	Rubber	SGL	Spring	S (NBR)
28x45x8-R2LS32-S	28.00	45.00	8.00	R2LS32	Rubber	MULTI	Spring	S (NBR)
28x45x8-RLS35-S	28.00	45.00	8.00	RLS35	Rubber	SGL	Spring	S (NBR)
28x47x7-R2LS32-S	28.00	47.00	7.00	R2LS32	Rubber	MULTI	Spring	S (NBR)
28x47x7 R2LS32-V	28.00	47.00	7.00	R2LS32	Rubber	MULTI	Spring	V (FKM)
28x47x7-RLS35-S	28.00	47.00	7.00	RLS35	Rubber	SGL	Spring	S (NBR)
28x47x10-RLS35-S	28.00	47.00	10.00	RLS35	Rubber	SGL	Spring	S (NBR)
28x48x8-R2LS32-S	28.00	48.00	8.00	R2LS32	Rubber	MULTI	Spring	S (NBR)
28x50x8-R2LS32-S	28.00	50.00	8.00	R2LS32	Rubber	MULTI	Spring	S (NBR)
28x52x7-R2LS32-S	28.00	52.00	7.00	R2LS32	Rubber	MULTI	Spring	S (NBR)
28x52x7-R2LS32-V	28.00	52.00	7.00	R2LS32	Rubber	MULTI	Spring	V (FKM)
28x52x7-RLS35-S	28.00	52.00	7.00	RLS35	Rubber	SGL	Spring	S (NBR)
28x52x7-RLS35-V	28.00	52.00	7.00	RLS35	Rubber	SGL	Spring	V (FKM)
28x52x10-R2LS32-S	28.00	52.00	10.00	R2LS32	Rubber	MULTI	Spring	S (NBR)
28x52x10-RLS35-S	28.00	52.00	10.00	RLS35	Rubber	SGL	Spring	S (NBR)
Shaft 30.0 mm								
30x37x4-R2LS32-S	30.00	37.00	4.00	R2LS32	Rubber	MULTI	Spring	S (NBR)
30x37x4-RLS35-S	30.00	37.00	4.00	RLS35	Rubber	SGL	Spring	S (NBR)

SKUs available in single and bulk pack.
 All sizes can be made available in Viton® with MOQ and lead time.
 Viton® is a registered trademark of E.I. du Pont de Nemours and Company.
 Please contact your Timken sales engineer for more information.



Continued on next page.

OIL SEAL PRODUCT TABLE

Continued from previous page.

Timken Part Number	Shaft	Bore	Width	Model	O.D. Type	Lip	Spring	Lip Material
	mm	mm	mm					
30x40x4-R2LS32-S	30.00	40.00	4.00	R2LS32	Rubber	MULTI	Spring	S (NBR)
30x40x4-RLS35-S	30.00	40.00	4.00	RLS35	Rubber	SGL	Spring	S (NBR)
30x40x7-R2LS32-S	30.00	40.00	7.00	R2LS32	Rubber	MULTI	Spring	S (NBR)
30x40x7-R2LS32-V	30.00	40.00	7.00	R2LS32	Rubber	MULTI	Spring	V (FKM)
30x40x7-RLS35-S	30.00	40.00	7.00	RLS35	Rubber	SGL	Spring	S (NBR)
30x40x7-RLS35-V	30.00	40.00	7.00	RLS35	Rubber	SGL	Spring	V (FKM)
30x40x10-RLS35-S	30.00	40.00	10.00	RLS35	Rubber	SGL	Spring	S (NBR)
30x42x7-R2LS32-S	30.00	42.00	7.00	R2LS32	Rubber	MULTI	Spring	S (NBR)
30x42x7-RLS35-S	30.00	42.00	7.00	RLS35	Rubber	SGL	Spring	S (NBR)
30x42x7-RLS35-V	30.00	42.00	7.00	RLS35	Rubber	SGL	Spring	V (FKM)
30x42x8-R2LS32-S	30.00	42.00	8.00	R2LS32	Rubber	MULTI	Spring	S (NBR)
30x43x8-R2LS32-S	30.00	43.00	8.00	R2LS32	Rubber	MULTI	Spring	S (NBR)
30x44x7-R2LS32-S	30.00	44.00	7.00	R2LS32	Rubber	MULTI	Spring	S (NBR)
30x44x9-R2LS32-S	30.00	44.00	9.00	R2LS32	Rubber	MULTI	Spring	S (NBR)
30x44x10-RLS35-S	30.00	44.00	10.00	RLS35	Rubber	SGL	Spring	S (NBR)
30x45x5-R2LS32-S	30.00	45.00	5.00	R2LS32	Rubber	MULTI	Spring	S (NBR)
30x45x7-R2LS32-S	30.00	45.00	7.00	R2LS32	Rubber	MULTI	Spring	S (NBR)
30x45x7-RLS35-V	30.00	45.00	7.00	RLS35	Rubber	SGL	Spring	V (FKM)
30x45x8-R2LS32-S	30.00	45.00	8.00	R2LS32	Rubber	MULTI	Spring	S (NBR)
30x45x8-RLS35-S	30.00	45.00	8.00	RLS35	Rubber	SGL	Spring	S (NBR)
30x45x10-R2LS32-S	30.00	45.00	10.00	R2LS32	Rubber	MULTI	Spring	S (NBR)
30x45x10-RLS35-S	30.00	45.00	10.00	RLS35	Rubber	SGL	Spring	S (NBR)
30x46x7-R2LS32-S	30.00	46.00	7.00	R2LS32	Rubber	MULTI	Spring	S (NBR)
30x46x8-R2LS32-S	30.00	46.00	8.00	R2LS32	Rubber	MULTI	Spring	S (NBR)
30x47x6-RLS35-S	30.00	47.00	6.00	RLS35	Rubber	SGL	Spring	S (NBR)
30x47x7-R2LS32-S	30.00	47.00	7.00	R2LS32	Rubber	MULTI	Spring	S (NBR)
30x47x7-R2LS32-V	30.00	47.00	7.00	R2LS32	Rubber	MULTI	Spring	V (FKM)
30x47x7-RLS35-S	30.00	47.00	7.00	RLS35	Rubber	SGL	Spring	S (NBR)
30x47x7-RLS35-V	30.00	47.00	7.00	RLS35	Rubber	SGL	Spring	V (FKM)
30x47x8-R2LS32-S	30.00	47.00	8.00	R2LS32	Rubber	MULTI	Spring	S (NBR)
30x47x8-RLS35-S	30.00	47.00	8.00	RLS35	Rubber	SGL	Spring	S (NBR)
30x47x10-R2LS32-S	30.00	47.00	10.00	R2LS32	Rubber	MULTI	Spring	S (NBR)
30x47x10-RLS35-S	30.00	47.00	10.00	RLS35	Rubber	SGL	Spring	S (NBR)
30x48x7-R2LS32-S	30.00	48.00	7.00	R2LS32	Rubber	MULTI	Spring	S (NBR)
30x48x8-R2LS32-S	30.00	48.00	8.00	R2LS32	Rubber	MULTI	Spring	S (NBR)
30x48x8-RLS35-S	30.00	48.00	8.00	RLS35	Rubber	SGL	Spring	S (NBR)
30x50x7-RLS35-S	30.00	50.00	7.00	RLS35	Rubber	SGL	Spring	S (NBR)

SKUs available in single and bulk pack.

All sizes can be made available in Viton® with MOQ and lead time.

Viton® is a registered trademark of E.I. du Pont de Nemours and Company.

Please contact your Timken sales engineer for more information.



Continued on next page.

Continued from previous page.

Timken Part Number	Shaft	Bore	Width	Model	O.D. Type	Lip	Spring	Lip Material
	mm	mm	mm					
30x50x8-R2LS32-S	30.00	50.00	8.00	R2LS32	Rubber	MULTI	Spring	S (NBR)
30x50x8-RLS35-S	30.00	50.00	8.00	RLS35	Rubber	SGL	Spring	S (NBR)
30x50x10-R2LS32-S	30.00	50.00	10.00	R2LS32	Rubber	MULTI	Spring	S (NBR)
30x50x10-RLS35-S	30.00	50.00	10.00	RLS35	Rubber	SGL	Spring	S (NBR)
30x50x11-R2LS32-S	30.00	50.00	11.00	R2LS32	Rubber	MULTI	Spring	S (NBR)
30x52x7-R2LS32-S	30.00	52.00	7.00	R2LS32	Rubber	MULTI	Spring	S (NBR)
30x52x7-RLS35-S	30.00	52.00	7.00	RLS35	Rubber	SGL	Spring	S (NBR)
30x52x8-R2LS32-S	30.00	52.00	8.00	R2LS32	Rubber	MULTI	Spring	S (NBR)
30x52x8-RLS35-S	30.00	52.00	8.00	RLS35	Rubber	SGL	Spring	S (NBR)
30x52x10-R2LS32-V	30.00	52.00	10.00	R2LS32	Rubber	MULTI	Spring	V (FKM)
30x52x10-RLS35-S	30.00	52.00	10.00	RLS35	Rubber	SGL	Spring	S (NBR)
30x52x10-RLS35-V	30.00	52.00	10.00	RLS35	Rubber	SGL	Spring	V (FKM)
30x55x7-R2LS32-S	30.00	55.00	7.00	R2LS32	Rubber	MULTI	Spring	S (NBR)
30x55x7-RLS35-S	30.00	55.00	7.00	RLS35	Rubber	SGL	Spring	S (NBR)
30x55x10-R2LS32-S	30.00	55.00	10.00	R2LS32	Rubber	MULTI	Spring	S (NBR)
30x55x10-R2LS32-V	30.00	55.00	10.00	R2LS32	Rubber	MULTI	Spring	V (FKM)
30x55x10-RLS35-S	30.00	55.00	10.00	RLS35	Rubber	SGL	Spring	S (NBR)
30x56x10-R2LS32-S	30.00	56.00	10.00	R2LS32	Rubber	MULTI	Spring	S (NBR)
30x58x10-R2LS32-S	30.00	58.00	10.00	R2LS32	Rubber	MULTI	Spring	S (NBR)
30x60x8-R2LS32-S	30.00	60.00	8.00	R2LS32	Rubber	MULTI	Spring	S (NBR)
30x60x10-R2LS32-S	30.00	60.00	10.00	R2LS32	Rubber	MULTI	Spring	S (NBR)
30x60x10-RLS35-S	30.00	60.00	10.00	RLS35	Rubber	SGL	Spring	S (NBR)
30x62x7-R2LS32-S	30.00	62.00	7.00	R2LS32	Rubber	MULTI	Spring	S (NBR)
30x62x7-RLS35-S	30.00	62.00	7.00	RLS35	Rubber	SGL	Spring	S (NBR)
30x62x8-R2LS32-S	30.00	62.00	8.00	R2LS32	Rubber	MULTI	Spring	S (NBR)
30x62x8-RLS35-S	30.00	62.00	8.00	RLS35	Rubber	SGL	Spring	S (NBR)
30x62x10-R2LS32-S	30.00	62.00	10.00	R2LS32	Rubber	MULTI	Spring	S (NBR)
30x62x10-RLS35-S	30.00	62.00	10.00	RLS35	Rubber	SGL	Spring	S (NBR)
30x65x8-R2LS32-S	30.00	65.00	8.00	R2LS32	Rubber	MULTI	Spring	S (NBR)
30x70x8-R2LS32-S	30.00	70.00	8.00	R2LS32	Rubber	MULTI	Spring	S (NBR)
30x72x8-R2LS32-S	30.00	72.00	8.00	R2LS32	Rubber	MULTI	Spring	S (NBR)
30x72x10-R2LS32-S	30.00	72.00	10.00	R2LS32	Rubber	MULTI	Spring	S (NBR)
30x72x10-RLS35-S	30.00	72.00	10.00	RLS35	Rubber	SGL	Spring	S (NBR)
Shaft 31.0 mm								
31x42x8-RLS35-V	31.00	42.00	8.00	RLS35	Rubber	SGL	Spring	V (FKM)
Shaft 32.0 mm								
32x40x7-RLS35-S	32.00	40.00	7.00	RLS35	Rubber	SGL	Spring	S (NBR)

SKUs available in single and bulk pack.
 All sizes can be made available in Viton® with MOQ and lead time.
 Viton® is a registered trademark of E.I. du Pont de Nemours and Company.
 Please contact your Timken sales engineer for more information.



Continued on next page.

OIL SEAL PRODUCT TABLE

Continued from previous page.

Timken Part Number	Shaft	Bore	Width	Model	O.D. Type	Lip	Spring	Lip Material
	mm	mm	mm					
32x42x7-R2LS32-S	32.00	42.00	7.00	R2LS32	Rubber	MULTI	Spring	S (NBR)
32x42x7-RLS35-S	32.00	42.00	7.00	RLS35	Rubber	SGL	Spring	S (NBR)
32x42x8-R2LS32-S	32.00	42.00	8.00	R2LS32	Rubber	MULTI	Spring	S (NBR)
32x43x7-R2LS32-S	32.00	43.00	7.00	R2LS32	Rubber	MULTI	Spring	S (NBR)
32x44x9-RLS35-S	32.00	44.00	9.00	RLS35	Rubber	SGL	Spring	S (NBR)
32x45x7-R2LS32-S	32.00	45.00	7.00	R2LS32	Rubber	MULTI	Spring	S (NBR)
32x45x7-R2LS32-V	32.00	45.00	7.00	R2LS32	Rubber	MULTI	Spring	V (FKM)
32x45x7-RLS35-S	32.00	45.00	7.00	RLS35	Rubber	SGL	Spring	S (NBR)
32x46x8-R2LS32-S	32.00	46.00	8.00	R2LS32	Rubber	MULTI	Spring	S (NBR)
32x47x7-R2LS32-S	32.00	47.00	7.00	R2LS32	Rubber	MULTI	Spring	S (NBR)
32x47x7-RLS35-S	32.00	47.00	7.00	RLS35	Rubber	SGL	Spring	S (NBR)
32x47x8-R2LS32-S	32.00	47.00	8.00	R2LS32	Rubber	MULTI	Spring	S (NBR)
32x47x10-R2LS32-S	32.00	47.00	10.00	R2LS32	Rubber	MULTI	Spring	S (NBR)
32x47x10-RLS35-S	32.00	47.00	10.00	RLS35	Rubber	SGL	Spring	S (NBR)
32x48x5-R2LS32-S	32.00	48.00	5.00	R2LS32	Rubber	MULTI	Spring	S (NBR)
32x48x5-RLS35-S	32.00	48.00	5.00	RLS35	Rubber	SGL	Spring	S (NBR)
32x48x7-R2LS32-S	32.00	48.00	7.00	R2LS32	Rubber	MULTI	Spring	S (NBR)
32x48x7-RLS35-S	32.00	48.00	7.00	RLS35	Rubber	SGL	Spring	S (NBR)
32x48x8-R2LS32-S	32.00	48.00	8.00	R2LS32	Rubber	MULTI	Spring	S (NBR)
32x48x8-RLS35-S	32.00	48.00	8.00	RLS35	Rubber	SGL	Spring	S (NBR)
32x50x7-R2LS32-S	32.00	50.00	7.00	R2LS32	Rubber	MULTI	Spring	S (NBR)
32x50x8-R2LS32-S	32.00	50.00	8.00	R2LS32	Rubber	MULTI	Spring	S (NBR)
32x50x8-RLS35-S	32.00	50.00	8.00	RLS35	Rubber	SGL	Spring	S (NBR)
32x50x10-R2LS32-S	32.00	50.00	10.00	R2LS32	Rubber	MULTI	Spring	S (NBR)
32x50x10-R2LS32-V	32.00	50.00	10.00	R2LS32	Rubber	MULTI	Spring	V (FKM)
32x50x10-RLS35-S	32.00	50.00	10.00	RLS35	Rubber	SGL	Spring	S (NBR)
32x52x5-RLS35-S	32.00	52.00	5.00	RLS35	Rubber	SGL	Spring	S (NBR)
32x52x7-R2LS32-S	32.00	52.00	7.00	R2LS32	Rubber	MULTI	Spring	S (NBR)
32x52x7-RLS35-S	32.00	52.00	7.00	RLS35	Rubber	SGL	Spring	S (NBR)
32x52x8-R2LS32-S	32.00	52.00	8.00	R2LS32	Rubber	MULTI	Spring	S (NBR)
32x52x10-RLS35-V	32.00	52.00	10.00	RLS35	Rubber	SGL	Spring	V (FKM)
32x52x11-R2LS32-S	32.00	52.00	11.00	R2LS32	Rubber	MULTI	Spring	S (NBR)
32x54x8-R2LS32-S	32.00	54.00	8.00	R2LS32	Rubber	MULTI	Spring	S (NBR)
32x54x10-R2LS32-S	32.00	54.00	10.00	R2LS32	Rubber	MULTI	Spring	S (NBR)
32x55x7-R2LS32-S	32.00	55.00	7.00	R2LS32	Rubber	MULTI	Spring	S (NBR)
32x55x10-RLS35-S	32.00	55.00	10.00	RLS35	Rubber	SGL	Spring	S (NBR)
32x56x8-R2LS32-S	32.00	56.00	8.00	R2LS32	Rubber	MULTI	Spring	S (NBR)

SKUs available in single and bulk pack.
 All sizes can be made available in Viton® with MOQ and lead time.
 Viton® is a registered trademark of E.I. du Pont de Nemours and Company.
 Please contact your Timken sales engineer for more information.



Continued on next page.

Continued from previous page.

Timken Part Number	Shaft	Bore	Width	Model	O.D. Type	Lip	Spring	Lip Material
	mm	mm	mm					
32x56x10-R2LS32-S	32.00	56.00	10.00	R2LS32	Rubber	MULTI	Spring	S (NBR)
32x56x10-RLS35-S	32.00	56.00	10.00	RLS35	Rubber	SGL	Spring	S (NBR)
32x58x8-R2LS32-S	32.00	58.00	8.00	R2LS32	Rubber	MULTI	Spring	S (NBR)
32x58x8-RLS35-S	32.00	58.00	8.00	RLS35	Rubber	SGL	Spring	S (NBR)
32x60x8-R2LS32-S	32.00	60.00	8.00	R2LS32	Rubber	MULTI	Spring	S (NBR)
32x62x8-R2LS32-S	32.00	62.00	8.00	R2LS32	Rubber	MULTI	Spring	S (NBR)
32x62x10-RLS35-S	32.00	62.00	10.00	RLS35	Rubber	SGL	Spring	S (NBR)
Shaft 33.0 mm								
33x45x7-R2LS32-S	33.00	45.00	7.00	R2LS32	Rubber	MULTI	Spring	S (NBR)
33x45x7-RLS35-S	33.00	45.00	7.00	RLS35	Rubber	SGL	Spring	S (NBR)
33x50x6-R2LS32-S	33.00	50.00	6.00	R2LS32	Rubber	MULTI	Spring	S (NBR)
33x50x8-R2LS32-S	33.00	50.00	8.00	R2LS32	Rubber	MULTI	Spring	S (NBR)
33x50x10-R2LS32-S	33.00	50.00	10.00	R2LS32	Rubber	MULTI	Spring	S (NBR)
33x50x10-RLS35-S	33.00	50.00	10.00	RLS35	Rubber	SGL	Spring	S (NBR)
33x50x12-R2LS32-S	33.00	50.00	12.00	R2LS32	Rubber	MULTI	Spring	S (NBR)
33x54x10-RLS35-S	33.00	54.00	10.00	RLS35	Rubber	SGL	Spring	S (NBR)
Shaft 34.0 mm								
34x44x8-R2LS32-S	34.00	44.00	8.00	R2LS32	Rubber	MULTI	Spring	S (NBR)
34x45x8-R2LS32-S	34.00	45.00	8.00	R2LS32	Rubber	MULTI	Spring	S (NBR)
34x47x7-R2LS32-S	34.00	47.00	7.00	R2LS32	Rubber	MULTI	Spring	S (NBR)
34x47x7-R2LS32-V	34.00	47.00	7.00	R2LS32	Rubber	MULTI	Spring	V (FKM)
34x48x8-R2LS32-S	34.00	48.00	8.00	R2LS32	Rubber	MULTI	Spring	S (NBR)
34x50x8-R2LS32-S	34.00	50.00	8.00	R2LS32	Rubber	MULTI	Spring	S (NBR)
34x52x7-RLS35-S	34.00	52.00	7.00	RLS35	Rubber	SGL	Spring	S (NBR)
34x52x8-R2LS32-S	34.00	52.00	8.00	R2LS32	Rubber	MULTI	Spring	S (NBR)
34x52x8-RLS35-S	34.00	52.00	8.00	RLS35	Rubber	SGL	Spring	S (NBR)
34x54x9-R2LS32-S	34.00	54.00	9.00	R2LS32	Rubber	MULTI	Spring	S (NBR)
34x55x9-R2LS32-S	34.00	55.00	9.00	R2LS32	Rubber	MULTI	Spring	S (NBR)
34x62x10-RLS35-S	34.00	62.00	10.00	RLS35	Rubber	SGL	Spring	S (NBR)
34x72x10-R2LS32-S	34.00	72.00	10.00	R2LS32	Rubber	MULTI	Spring	S (NBR)
Shaft 35.0 mm								
35x45x7-R2LS32-S	35.00	45.00	7.00	R2LS32	Rubber	MULTI	Spring	S (NBR)
35x45x7-RLS35-S	35.00	45.00	7.00	RLS35	Rubber	SGL	Spring	S (NBR)
35x47x5-R2LS32-S	35.00	47.00	5.00	R2LS32	Rubber	MULTI	Spring	S (NBR)
35x47x5-RLS35-S	35.00	47.00	5.00	RLS35	Rubber	SGL	Spring	S (NBR)
35x47x6-R2LS32-S	35.00	47.00	6.00	R2LS32	Rubber	MULTI	Spring	S (NBR)
35x47x6-RLS35-S	35.00	47.00	6.00	RLS35	Rubber	SGL	Spring	S (NBR)

SKUs available in single and bulk pack.
 All sizes can be made available in Viton® with MOQ and lead time.
 Viton® is a registered trademark of E.I. du Pont de Nemours and Company.
 Please contact your Timken sales engineer for more information.



Continued on next page.

OIL SEAL PRODUCT TABLE

Continued from previous page.

Timken Part Number	Shaft	Bore	Width	Model	O.D. Type	Lip	Spring	Lip Material
	mm	mm	mm					
35x47x7-R2LS32-S	35.00	47.00	7.00	R2LS32	Rubber	MULTI	Spring	S (NBR)
35x47x7-RLS35-S	35.00	47.00	7.00	RLS35	Rubber	SGL	Spring	S (NBR)
35x47x7-RLS35-V	35.00	47.00	7.00	RLS35	Rubber	SGL	Spring	V (FKM)
35x48x8-R2LS32-S	35.00	48.00	8.00	R2LS32	Rubber	MULTI	Spring	S (NBR)
35x48x9-RLS35-S	35.00	48.00	9.00	RLS35	Rubber	SGL	Spring	S (NBR)
35x49x6-R2LS32-S	35.00	49.00	6.00	R2LS32	Rubber	MULTI	Spring	S (NBR)
35x50x7-R2LS32-S	35.00	50.00	7.00	R2LS32	Rubber	MULTI	Spring	S (NBR)
35x50x7-RLS35-S	35.00	50.00	7.00	RLS35	Rubber	SGL	Spring	S (NBR)
35x50x8-R2LS32-S	35.00	50.00	8.00	R2LS32	Rubber	MULTI	Spring	S (NBR)
35x50x10-R2LS32-S	35.00	50.00	10.00	R2LS32	Rubber	MULTI	Spring	S (NBR)
35x50x10-RLS35-S	35.00	50.00	10.00	RLS35	Rubber	SGL	Spring	S (NBR)
35x50x12-RLS35-S	35.00	50.00	12.00	RLS35	Rubber	SGL	Spring	S (NBR)
35x52x7-R2LS32-S	35.00	52.00	7.00	R2LS32	Rubber	MULTI	Spring	S (NBR)
35x52x7-RLS35-S	35.00	52.00	7.00	RLS35	Rubber	SGL	Spring	S (NBR)
35x52x8-R2LS32-S	35.00	52.00	8.00	R2LS32	Rubber	MULTI	Spring	S (NBR)
35x52x8-RLS35-S	35.00	52.00	8.00	RLS35	Rubber	SGL	Spring	S (NBR)
35x52x10-R2LS32-S	35.00	52.00	10.00	R2LS32	Rubber	MULTI	Spring	S (NBR)
35x52x10-RLS35-S	35.00	52.00	10.00	RLS35	Rubber	SGL	Spring	S (NBR)
35x54x8-R2LS32-S	35.00	54.00	8.00	R2LS32	Rubber	MULTI	Spring	S (NBR)
35x55x7-R2LS32-S	35.00	55.00	7.00	R2LS32	Rubber	MULTI	Spring	S (NBR)
35x55x8-R2LS32-S	35.00	55.00	8.00	R2LS32	Rubber	MULTI	Spring	S (NBR)
35x55x8-RLS35-S	35.00	55.00	8.00	RLS35	Rubber	SGL	Spring	S (NBR)
35x55x10-R2LS32-S	35.00	55.00	10.00	R2LS32	Rubber	MULTI	Spring	S (NBR)
35x55x10-R2LS32-V	35.00	55.00	10.00	R2LS32	Rubber	MULTI	Spring	V (FKM)
35x55x10-RLS35-S	35.00	55.00	10.00	RLS35	Rubber	SGL	Spring	S (NBR)
35x55x10-RLS35-V	35.00	55.00	10.00	RLS35	Rubber	SGL	Spring	V (FKM)
35x55x11-RLS35-S	35.00	55.00	11.00	RLS35	Rubber	SGL	Spring	S (NBR)
35x55x12-R2LS32-S	35.00	55.00	12.00	R2LS32	Rubber	MULTI	Spring	S (NBR)
35x56x10-R2LS32-S	35.00	56.00	10.00	R2LS32	Rubber	MULTI	Spring	S (NBR)
35x56x10-RLS35-S	35.00	56.00	10.00	RLS35	Rubber	SGL	Spring	S (NBR)
35x58x10-R2LS32-S	35.00	58.00	10.00	R2LS32	Rubber	MULTI	Spring	S (NBR)
35x58x10-RLS35-S	35.00	58.00	10.00	RLS35	Rubber	SGL	Spring	S (NBR)
35x60x10-R2LS32-S	35.00	60.00	10.00	R2LS32	Rubber	MULTI	Spring	S (NBR)
35x60x10-RLS35-S	35.00	60.00	10.00	RLS35	Rubber	SGL	Spring	S (NBR)
35x62x7-R2LS32-S	35.00	62.00	7.00	R2LS32	Rubber	MULTI	Spring	S (NBR)
35x62x7-RLS35-S	35.00	62.00	7.00	RLS35	Rubber	SGL	Spring	S (NBR)
35x62x8-R2LS32-S	35.00	62.00	8.00	R2LS32	Rubber	MULTI	Spring	S (NBR)

SKUs available in single and bulk pack.
 All sizes can be made available in Viton® with MOQ and lead time.
 Viton® is a registered trademark of E.I. du Pont de Nemours and Company.
 Please contact your Timken sales engineer for more information.



Continued on next page.

Continued from previous page.

Timken Part Number	Shaft	Bore	Width	Model	O.D. Type	Lip	Spring	Lip Material
	mm	mm	mm					
35x62x9.5-R2LS32-S	35.00	62.00	9.50	R2LS32	Rubber	MULTI	Spring	S (NBR)
35x62x10-R2LS32-S	35.00	62.00	10.00	R2LS32	Rubber	MULTI	Spring	S (NBR)
35x62x10-RLS35-S	35.00	62.00	10.00	RLS35	Rubber	SGL	Spring	S (NBR)
35x65x9-R2LS32-S	35.00	65.00	9.00	R2LS32	Rubber	MULTI	Spring	S (NBR)
35x65x10-R2LS32-S	35.00	65.00	10.00	R2LS32	Rubber	MULTI	Spring	S (NBR)
35x65x10-RLS35-S	35.00	65.00	10.00	RLS35	Rubber	SGL	Spring	S (NBR)
35x65x12-R2LS32-S	35.00	65.00	12.00	R2LS32	Rubber	MULTI	Spring	S (NBR)
35x68x8-R2LS32-S	35.00	68.00	8.00	R2LS32	Rubber	MULTI	Spring	S (NBR)
35x68x10-RLS35-S	35.00	68.00	10.00	RLS35	Rubber	SGL	Spring	S (NBR)
35x70x8-R2LS32-S	35.00	70.00	8.00	R2LS32	Rubber	MULTI	Spring	S (NBR)
35x72x10-R2LS32-S	35.00	72.00	10.00	R2LS32	Rubber	MULTI	Spring	S (NBR)
35x72x10-RLS35-S	35.00	72.00	10.00	RLS35	Rubber	SGL	Spring	S (NBR)
35x72x12-R2LS32-S	35.00	72.00	12.00	R2LS32	Rubber	MULTI	Spring	S (NBR)
35x72x12-RLS35-S	35.00	72.00	12.00	RLS35	Rubber	SGL	Spring	S (NBR)
35x75x8-R2LS32-S	35.00	75.00	8.00	R2LS32	Rubber	MULTI	Spring	S (NBR)
35x80x10-R2LS32-S	35.00	80.00	10.00	R2LS32	Rubber	MULTI	Spring	S (NBR)
35x80x10-RLS35-S	35.00	80.00	10.00	RLS35	Rubber	SGL	Spring	S (NBR)
35x80x12-R2LS32-S	35.00	80.00	12.00	R2LS32	Rubber	MULTI	Spring	S (NBR)
Shaft 36.0 mm								
36x47x7-R2LS32-S	36.00	47.00	7.00	R2LS32	Rubber	MULTI	Spring	S (NBR)
36x47x7-RLS35-S	36.00	47.00	7.00	RLS35	Rubber	SGL	Spring	S (NBR)
36x50x7-R2LS32-S	36.00	50.00	7.00	R2LS32	Rubber	MULTI	Spring	S (NBR)
36x50x7-RLS35-S	36.00	50.00	7.00	RLS35	Rubber	SGL	Spring	S (NBR)
36x52x7-R2LS32-S	36.00	52.00	7.00	R2LS32	Rubber	MULTI	Spring	S (NBR)
36x52x7-RLS35-S	36.00	52.00	7.00	RLS35	Rubber	SGL	Spring	S (NBR)
36x52x7-RLS35-V	36.00	52.00	7.00	RLS35	Rubber	SGL	Spring	V (FKM)
36x54x8-R2LS32-S	36.00	54.00	8.00	R2LS32	Rubber	MULTI	Spring	S (NBR)
36x54x8-RLS35-S	36.00	54.00	8.00	RLS35	Rubber	SGL	Spring	S (NBR)
36x55x8-R2LS32-S	36.00	55.00	8.00	R2LS32	Rubber	MULTI	Spring	S (NBR)
36x56x10-RLS35-S	36.00	56.00	10.00	RLS35	Rubber	SGL	Spring	S (NBR)
36x58x8-R2LS32-S	36.00	58.00	8.00	R2LS32	Rubber	MULTI	Spring	S (NBR)
36x58x10-R2LS32-S	36.00	58.00	10.00	R2LS32	Rubber	MULTI	Spring	S (NBR)
36x58x10-RLS35-S	36.00	58.00	10.00	RLS35	Rubber	SGL	Spring	S (NBR)
36x58x12-RLS35-S	36.00	58.00	12.00	RLS35	Rubber	SGL	Spring	S (NBR)
36x62x7-R2LS32-S	36.00	62.00	7.00	R2LS32	Rubber	MULTI	Spring	S (NBR)
36x62x7-RLS35-S	36.00	62.00	7.00	RLS35	Rubber	SGL	Spring	S (NBR)
36x68x10-R2LS32-S	36.00	68.00	10.00	R2LS32	Rubber	MULTI	Spring	S (NBR)

SKUs available in single and bulk pack.
 All sizes can be made available in Viton® with MOQ and lead time.
 Viton® is a registered trademark of E.I. du Pont de Nemours and Company.
 Please contact your Timken sales engineer for more information.



Continued on next page.

OIL SEAL PRODUCT TABLE

Continued from previous page.

Timken Part Number	Shaft	Bore	Width	Model	O.D. Type	Lip	Spring	Lip Material
	mm	mm	mm					
36x68x10-RLS35-S	36.00	68.00	10.00	RLS35	Rubber	SGL	Spring	S (NBR)
36x72x8-R2LS32-S	36.00	72.00	8.00	R2LS32	Rubber	MULTI	Spring	S (NBR)
Shaft 37.0 mm								
37x47x4-R2LS32-S	37.00	47.00	4.00	R2LS32	Rubber	MULTI	Spring	S (NBR)
37x47x4-RLS35-S	37.00	47.00	4.00	RLS35	Rubber	SGL	Spring	S (NBR)
37x52x8-RLS35-S	37.00	52.00	8.00	RLS35	Rubber	SGL	Spring	S (NBR)
Shaft 38.0 mm								
38x50x7-R2LS32-S	38.00	50.00	7.00	R2LS32	Rubber	MULTI	Spring	S (NBR)
38x50x7-RLS35-S	38.00	50.00	7.00	RLS35	Rubber	SGL	Spring	S (NBR)
38x50x8-R2LS32-S	38.00	50.00	8.00	R2LS32	Rubber	MULTI	Spring	S (NBR)
38x51x7-R2LS32-S	38.00	51.00	7.00	R2LS32	Rubber	MULTI	Spring	S (NBR)
38x52x7-R2LS32-S	38.00	52.00	7.00	R2LS32	Rubber	MULTI	Spring	S (NBR)
38x52x7-RLS35-S	38.00	52.00	7.00	RLS35	Rubber	SGL	Spring	S (NBR)
38x52x8-R2LS32-S	38.00	52.00	8.00	R2LS32	Rubber	MULTI	Spring	S (NBR)
38x52x8-RLS35-S	38.00	52.00	8.00	RLS35	Rubber	SGL	Spring	S (NBR)
38x54x10-RLS35-S	38.00	54.00	10.00	RLS35	Rubber	SGL	Spring	S (NBR)
38x55x7-R2LS32-S	38.00	55.00	7.00	R2LS32	Rubber	MULTI	Spring	S (NBR)
38x55x7-RLS35-S	38.00	55.00	7.00	RLS35	Rubber	SGL	Spring	S (NBR)
38x56x10-R2LS32-S	38.00	56.00	10.00	R2LS32	Rubber	MULTI	Spring	S (NBR)
38x56x10-RLS35-S	38.00	56.00	10.00	RLS35	Rubber	SGL	Spring	S (NBR)
38x58x10-R2LS32-S	38.00	58.00	10.00	R2LS32	Rubber	MULTI	Spring	S (NBR)
38x60x8-R2LS32-S	38.00	60.00	8.00	R2LS32	Rubber	MULTI	Spring	S (NBR)
38x60x10-R2LS32-S	38.00	60.00	10.00	R2LS32	Rubber	MULTI	Spring	S (NBR)
38x60x10-RLS35-S	38.00	60.00	10.00	RLS35	Rubber	SGL	Spring	S (NBR)
38x62x7-R2LS32-S	38.00	62.00	7.00	R2LS32	Rubber	MULTI	Spring	S (NBR)
38x62x7-RLS35-S	38.00	62.00	7.00	RLS35	Rubber	SGL	Spring	S (NBR)
38x62x10-R2LS32-S	38.00	62.00	10.00	R2LS32	Rubber	MULTI	Spring	S (NBR)
38x62x10-R2LS32-V	38.00	62.00	10.00	R2LS32	Rubber	MULTI	Spring	V (FKM)
38x62x10-RLS35-S	38.00	62.00	10.00	RLS35	Rubber	SGL	Spring	S (NBR)
38x62x10-RLS35-V	38.00	62.00	10.00	RLS35	Rubber	SGL	Spring	V (FKM)
38x65x8-R2LS32-S	38.00	65.00	8.00	R2LS32	Rubber	MULTI	Spring	S (NBR)
38x65x10-RLS35-S	38.00	65.00	10.00	RLS35	Rubber	SGL	Spring	S (NBR)
38x70x10-RLS35-S	38.00	70.00	10.00	RLS35	Rubber	SGL	Spring	S (NBR)
38x72x8-R2LS32-S	38.00	72.00	8.00	R2LS32	Rubber	MULTI	Spring	S (NBR)
38x72x10-RLS35-S	38.00	72.00	10.00	RLS35	Rubber	SGL	Spring	S (NBR)
38x80x8-R2LS32-S	38.00	80.00	8.00	R2LS32	Rubber	MULTI	Spring	S (NBR)

SKUs available in single and bulk pack.
 All sizes can be made available in Viton® with MOQ and lead time.
 Viton® is a registered trademark of E.I. du Pont de Nemours and Company.
 Please contact your Timken sales engineer for more information.



Continued on next page.

Continued from previous page.

Timken Part Number	Shaft	Bore	Width	Model	O.D. Type	Lip	Spring	Lip Material
	mm	mm	mm					
Shaft 40.0 mm								
40x46x8-R2LS32-S	40.00	46.00	8.00	R2LS32	Rubber	MULTI	Spring	S (NBR)
40x46x8-RLS35-S	40.00	46.00	8.00	RLS35	Rubber	SGL	Spring	S (NBR)
40x50x7-R2LS32-S	40.00	50.00	7.00	R2LS32	Rubber	MULTI	Spring	S (NBR)
40x50x8-R2LS32-S	40.00	50.00	8.00	R2LS32	Rubber	MULTI	Spring	S (NBR)
40x50x8-RLS35-S	40.00	50.00	8.00	RLS35	Rubber	SGL	Spring	S (NBR)
40x52x6-R2LS32-S	40.00	52.00	6.00	R2LS32	Rubber	MULTI	Spring	S (NBR)
40x52x7-R2LS32-S	40.00	52.00	7.00	R2LS32	Rubber	MULTI	Spring	S (NBR)
40x52x7-RLS35-S	40.00	52.00	7.00	RLS35	Rubber	SGL	Spring	S (NBR)
40x52x8-R2LS32-S	40.00	52.00	8.00	R2LS32	Rubber	MULTI	Spring	S (NBR)
40x54x7-R2LS32-S	40.00	54.00	7.00	R2LS32	Rubber	MULTI	Spring	S (NBR)
40x55x6-R2LS32-S	40.00	55.00	6.00	R2LS32	Rubber	MULTI	Spring	S (NBR)
40x55x7-R2LS32-S	40.00	55.00	7.00	R2LS32	Rubber	MULTI	Spring	S (NBR)
40x55x7 R2LS32-V	40.00	55.00	7.00	R2LS32	Rubber	MULTI	Spring	V (FKM)
40x55x7-RLS35-S	40.00	55.00	7.00	RLS35	Rubber	SGL	Spring	S (NBR)
40x55x8-R2LS32-S	40.00	55.00	8.00	R2LS32	Rubber	MULTI	Spring	S (NBR)
40x55x8-R2LS32-V	40.00	55.00	8.00	R2LS32	Rubber	MULTI	Spring	V (FKM)
40x55x8-RLS35-S	40.00	55.00	8.00	RLS35	Rubber	SGL	Spring	S (NBR)
40x55x10-R2LS32-S	40.00	55.00	10.00	R2LS32	Rubber	MULTI	Spring	S (NBR)
40x55x10-RLS35-S	40.00	55.00	10.00	RLS35	Rubber	SGL	Spring	S (NBR)
40x56x8-R2LS32-S	40.00	56.00	8.00	R2LS32	Rubber	MULTI	Spring	S (NBR)
40x56x8-RLS35-S	40.00	56.00	8.00	RLS35	Rubber	SGL	Spring	S (NBR)
40x58x8-RLS35-S	40.00	58.00	8.00	RLS35	Rubber	SGL	Spring	S (NBR)
40x58x9-R2LS32-S	40.00	58.00	9.00	R2LS32	Rubber	MULTI	Spring	S (NBR)
40x58x10-R2LS32-S	40.00	58.00	10.00	R2LS32	Rubber	MULTI	Spring	S (NBR)
40x58x10-RLS35-S	40.00	58.00	10.00	RLS35	Rubber	SGL	Spring	S (NBR)
40x60x7-R2LS32-S	40.00	60.00	7.00	R2LS32	Rubber	MULTI	Spring	S (NBR)
40x60x10-R2LS32-S	40.00	60.00	10.00	R2LS32	Rubber	MULTI	Spring	S (NBR)
40x60x10-RLS35-S	40.00	60.00	10.00	RLS35	Rubber	SGL	Spring	S (NBR)
40x60x12-RLS35-S	40.00	60.00	12.00	RLS35	Rubber	SGL	Spring	S (NBR)
40x62x7-R2LS32-S	40.00	62.00	7.00	R2LS32	Rubber	MULTI	Spring	S (NBR)
40x62x7 R2LS32-V	40.00	62.00	7.00	R2LS32	Rubber	MULTI	Spring	V (FKM)
40x62x7-RLS35-S	40.00	62.00	7.00	RLS35	Rubber	SGL	Spring	S (NBR)
40x62x8-R2LS32-S	40.00	62.00	8.00	R2LS32	Rubber	MULTI	Spring	S (NBR)
40x62x8-RLS35-S	40.00	62.00	8.00	RLS35	Rubber	SGL	Spring	S (NBR)
40x62x10-R2LS32-S	40.00	62.00	10.00	R2LS32	Rubber	MULTI	Spring	S (NBR)
40x62x10-R2LS32-V	40.00	62.00	10.00	R2LS32	Rubber	MULTI	Spring	V (FKM)

SKUs available in single and bulk pack.
 All sizes can be made available in Viton® with MOQ and lead time.
 Viton® is a registered trademark of E.I. du Pont de Nemours and Company.
 Please contact your Timken sales engineer for more information.



Continued on next page.

OIL SEAL PRODUCT TABLE

Continued from previous page.

Timken Part Number	Shaft	Bore	Width	Model	O.D. Type	Lip	Spring	Lip Material
	mm	mm	mm					
40x62x10-RLS35-S	40.00	62.00	10.00	RLS35	Rubber	SGL	Spring	S (NBR)
40x62x10-RLS35-V	40.00	62.00	10.00	RLS35	Rubber	SGL	Spring	V (FKM)
40x62x12-R2LS32-S	40.00	62.00	12.00	R2LS32	Rubber	MULTI	Spring	S (NBR)
40x62x12-RLS35-S	40.00	62.00	12.00	RLS35	Rubber	SGL	Spring	S (NBR)
40x65x8-R2LS32-S	40.00	65.00	8.00	R2LS32	Rubber	MULTI	Spring	S (NBR)
40x65x10-R2LS32-S	40.00	65.00	10.00	R2LS32	Rubber	MULTI	Spring	S (NBR)
40x65x10-RLS35-S	40.00	65.00	10.00	RLS35	Rubber	SGL	Spring	S (NBR)
40x65x12-RLS35-S	40.00	65.00	12.00	RLS35	Rubber	SGL	Spring	S (NBR)
40x65x14-R2LS32-S	40.00	65.00	14.00	R2LS32	Rubber	MULTI	Spring	S (NBR)
40x68x7-R2LS32-S	40.00	68.00	7.00	R2LS32	Rubber	MULTI	Spring	S (NBR)
40x68x8-R2LS32-S	40.00	68.00	8.00	R2LS32	Rubber	MULTI	Spring	S (NBR)
40x68x8-RLS35-S	40.00	68.00	8.00	RLS35	Rubber	SGL	Spring	S (NBR)
40x68x10-R2LS32-S	40.00	68.00	10.00	R2LS32	Rubber	MULTI	Spring	S (NBR)
40x68x10-RLS35-S	40.00	68.00	10.00	RLS35	Rubber	SGL	Spring	S (NBR)
40x68x12-RLS35-S	40.00	68.00	12.00	RLS35	Rubber	SGL	Spring	S (NBR)
40x70x8-R2LS32-S	40.00	70.00	8.00	R2LS32	Rubber	MULTI	Spring	S (NBR)
40x72x7-R2LS32-S	40.00	72.00	7.00	R2LS32	Rubber	MULTI	Spring	S (NBR)
40x72x7-R2LS32-V	40.00	72.00	7.00	R2LS32	Rubber	MULTI	Spring	V (FKM)
40x72x7-RLS35-S	40.00	72.00	7.00	RLS35	Rubber	SGL	Spring	S (NBR)
40x72x7-RLS35-V	40.00	72.00	7.00	RLS35	Rubber	SGL	Spring	V (FKM)
40x72x8-R2LS32-S	40.00	72.00	8.00	R2LS32	Rubber	MULTI	Spring	S (NBR)
40x72x10-R2LS32-S	40.00	72.00	10.00	R2LS32	Rubber	MULTI	Spring	S (NBR)
40x72x10-RLS35-S	40.00	72.00	10.00	RLS35	Rubber	SGL	Spring	S (NBR)
40x75x8-R2LS32-S	40.00	75.00	8.00	R2LS32	Rubber	MULTI	Spring	S (NBR)
40x78x10-R2LS32-S	40.00	78.00	10.00	R2LS32	Rubber	MULTI	Spring	S (NBR)
40x80x8-R2LS32-S	40.00	80.00	8.00	R2LS32	Rubber	MULTI	Spring	S (NBR)
40x80x10-R2LS32-S	40.00	80.00	10.00	R2LS32	Rubber	MULTI	Spring	S (NBR)
40x80x10-R2LS32-V	40.00	80.00	10.00	R2LS32	Rubber	MULTI	Spring	V (FKM)
40x80x10-RLS35-S	40.00	80.00	10.00	RLS35	Rubber	SGL	Spring	S (NBR)
40x80x10-RLS35-V	40.00	80.00	10.00	RLS35	Rubber	SGL	Spring	V (FKM)
40x80x12-R2LS32-S	40.00	80.00	12.00	R2LS32	Rubber	MULTI	Spring	S (NBR)
40x85x8-R2LS32-S	40.00	85.00	8.00	R2LS32	Rubber	MULTI	Spring	S (NBR)
40x90x8-R2LS32-S	40.00	90.00	8.00	R2LS32	Rubber	MULTI	Spring	S (NBR)
Shaft 41.0 mm								
41x55x7-R2LS32-S	41.00	55.00	7.00	R2LS32	Rubber	MULTI	Spring	S (NBR)
41x56x7-R2LS32-S	41.00	56.00	7.00	R2LS32	Rubber	MULTI	Spring	S (NBR)

SKUs available in single and bulk pack.

All sizes can be made available in Viton® with MOQ and lead time.

Viton® is a registered trademark of E.I. du Pont de Nemours and Company.

Please contact your Timken sales engineer for more information.



Continued on next page.

Continued from previous page.

Timken Part Number	Shaft	Bore	Width	Model	O.D. Type	Lip	Spring	Lip Material
	mm	mm	mm					
Shaft 42.0 mm								
42x50x4-R2LS32-S	42.00	50.00	4.00	R2LS32	Rubber	MULTI	Spring	S (NBR)
42x50x4-RLS35-S	42.00	50.00	4.00	RLS35	Rubber	SGL	Spring	S (NBR)
42x52x4-R2LS32-S	42.00	52.00	4.00	R2LS32	Rubber	MULTI	Spring	S (NBR)
42x52x8-R2LS32-S	42.00	52.00	8.00	R2LS32	Rubber	MULTI	Spring	S (NBR)
42x55x7-R2LS32-S	42.00	55.00	7.00	R2LS32	Rubber	MULTI	Spring	S (NBR)
42x55x7-RLS35-S	42.00	55.00	7.00	RLS35	Rubber	SGL	Spring	S (NBR)
42x55x8-RLS35-S	42.00	55.00	8.00	RLS35	Rubber	SGL	Spring	S (NBR)
42x56x7-R2LS32-S	42.00	56.00	7.00	R2LS32	Rubber	MULTI	Spring	S (NBR)
42x56x7-R2LS32-V	42.00	56.00	7.00	R2LS32	Rubber	MULTI	Spring	V (FKM)
42x56x7-RLS35-S	42.00	56.00	7.00	RLS35	Rubber	SGL	Spring	S (NBR)
42x56x7-RLS35-V	42.00	56.00	7.00	RLS35	Rubber	SGL	Spring	V (FKM)
42x58x7-RLS35-S	42.00	58.00	7.00	RLS35	Rubber	SGL	Spring	S (NBR)
42x58x8-R2LS32-S	42.00	58.00	8.00	R2LS32	Rubber	MULTI	Spring	S (NBR)
42x58x10-RLS35-S	42.00	58.00	10.00	RLS35	Rubber	SGL	Spring	S (NBR)
42x60x7-R2LS32-S	42.00	60.00	7.00	R2LS32	Rubber	MULTI	Spring	S (NBR)
42x60x7-RLS35-S	42.00	60.00	7.00	RLS35	Rubber	SGL	Spring	S (NBR)
42x60x8-R2LS32-S	42.00	60.00	8.00	R2LS32	Rubber	MULTI	Spring	S (NBR)
42x60x9-R2LS32-S	42.00	60.00	9.00	R2LS32	Rubber	MULTI	Spring	S (NBR)
42x60x10-RLS35-S	42.00	60.00	10.00	RLS35	Rubber	SGL	Spring	S (NBR)
42x62x7-R2LS32-S	42.00	62.00	7.00	R2LS32	Rubber	MULTI	Spring	S (NBR)
42x62x7-RLS35-S	42.00	62.00	7.00	RLS35	Rubber	SGL	Spring	S (NBR)
42x62x8-R2LS32-S	42.00	62.00	8.00	R2LS32	Rubber	MULTI	Spring	S (NBR)
42x62x8-RLS35-S	42.00	62.00	8.00	RLS35	Rubber	SGL	Spring	S (NBR)
42x62x10-RLS35-S	42.00	62.00	10.00	RLS35	Rubber	SGL	Spring	S (NBR)
42x65x10-R2LS32-S	42.00	65.00	10.00	R2LS32	Rubber	MULTI	Spring	S (NBR)
42x65x10-RLS35-S	42.00	65.00	10.00	RLS35	Rubber	SGL	Spring	S (NBR)
42x65x12-R2LS32-S	42.00	65.00	12.00	R2LS32	Rubber	MULTI	Spring	S (NBR)
42x68x8-R2LS32-S	42.00	68.00	8.00	R2LS32	Rubber	MULTI	Spring	S (NBR)
42x68x10-RLS35-S	42.00	68.00	10.00	RLS35	Rubber	SGL	Spring	S (NBR)
42x70x8-R2LS32-S	42.00	70.00	8.00	R2LS32	Rubber	MULTI	Spring	S (NBR)
42x70x10-R2LS32-S	42.00	70.00	10.00	R2LS32	Rubber	MULTI	Spring	S (NBR)
42x72x8-R2LS32-S	42.00	72.00	8.00	R2LS32	Rubber	MULTI	Spring	S (NBR)
42x72x8-RLS35-S	42.00	72.00	8.00	RLS35	Rubber	SGL	Spring	S (NBR)
42x72x10-R2LS32-S	42.00	72.00	10.00	R2LS32	Rubber	MULTI	Spring	S (NBR)
42x72x10-RLS35-S	42.00	72.00	10.00	RLS35	Rubber	SGL	Spring	S (NBR)
42x75x8-R2LS32-S	42.00	75.00	8.00	R2LS32	Rubber	MULTI	Spring	S (NBR)

SKUs available in single and bulk pack.
 All sizes can be made available in Viton® with MOQ and lead time.
 Viton® is a registered trademark of E.I. du Pont de Nemours and Company.
 Please contact your Timken sales engineer for more information.



Continued on next page.

OIL SEAL PRODUCT TABLE

Continued from previous page.

Timken Part Number	Shaft	Bore	Width	Model	O.D. Type	Lip	Spring	Lip Material
	mm	mm	mm					
42x80x10-RLS35-S	42.00	80.00	10.00	RLS35	Rubber	SGL	Spring	S (NBR)
Shaft 43.0 mm								
43x54x10-R2LS32-S	43.00	54.00	10.00	R2LS32	Rubber	MULTI	Spring	S (NBR)
43x60x10-R2LS32-S	43.00	60.00	10.00	R2LS32	Rubber	MULTI	Spring	S (NBR)
43x60x10-RLS35-S	43.00	60.00	10.00	RLS35	Rubber	SGL	Spring	S (NBR)
Shaft 44.0 mm								
44x60x8-R2LS32-V	44.00	60.00	8.00	R2LS32	Rubber	MULTI	Spring	V (FKM)
44x60x10-R2LS32-S	44.00	60.00	10.00	R2LS32	Rubber	MULTI	Spring	S (NBR)
44x60x10-RLS35-S	44.00	60.00	10.00	RLS35	Rubber	SGL	Spring	S (NBR)
44x62x7-R2LS32-S	44.00	62.00	7.00	R2LS32	Rubber	MULTI	Spring	S (NBR)
44x62x10-R2LS32-S	44.00	62.00	10.00	R2LS32	Rubber	MULTI	Spring	S (NBR)
44x62x10-RLS35-S	44.00	62.00	10.00	RLS35	Rubber	SGL	Spring	S (NBR)
44x65x8-R2LS32-S	44.00	65.00	8.00	R2LS32	Rubber	MULTI	Spring	S (NBR)
44x65x10-RLS35-S	44.00	65.00	10.00	RLS35	Rubber	SGL	Spring	S (NBR)
44x68x8-R2LS32-S	44.00	68.00	8.00	R2LS32	Rubber	MULTI	Spring	S (NBR)
44x70x8-R2LS32-S	44.00	70.00	8.00	R2LS32	Rubber	MULTI	Spring	S (NBR)
44x72x8-R2LS32-S	44.00	72.00	8.00	R2LS32	Rubber	MULTI	Spring	S (NBR)
44x72x10-R2LS32-S	44.00	72.00	10.00	R2LS32	Rubber	MULTI	Spring	S (NBR)
44x72x10-RLS35-S	44.00	72.00	10.00	RLS35	Rubber	SGL	Spring	S (NBR)
Shaft 45.0 mm								
45x52x4-R2LS32-S	45.00	52.00	4.00	R2LS32	Rubber	MULTI	Spring	S (NBR)
45x55x4-R2LS32-S	45.00	55.00	4.00	R2LS32	Rubber	MULTI	Spring	S (NBR)
45x55x4-RLS35-S	45.00	55.00	4.00	RLS35	Rubber	SGL	Spring	S (NBR)
45x55x7-R2LS32-S	45.00	55.00	7.00	R2LS32	Rubber	MULTI	Spring	S (NBR)
45x55x7-RLS35-S	45.00	55.00	7.00	RLS35	Rubber	SGL	Spring	S (NBR)
45x58x7-R2LS32-S	45.00	58.00	7.00	R2LS32	Rubber	MULTI	Spring	S (NBR)
45x58x7-RLS35-S	45.00	58.00	7.00	RLS35	Rubber	SGL	Spring	S (NBR)
45x60x7-R2LS32-S	45.00	60.00	7.00	R2LS32	Rubber	MULTI	Spring	S (NBR)
45x60x7-RLS35-S	45.00	60.00	7.00	RLS35	Rubber	SGL	Spring	S (NBR)
45x60x8-R2LS32-S	45.00	60.00	8.00	R2LS32	Rubber	MULTI	Spring	S (NBR)
45x60x8-RLS35-S	45.00	60.00	8.00	RLS35	Rubber	SGL	Spring	S (NBR)
45x60x9-R2LS32-S	45.00	60.00	9.00	R2LS32	Rubber	MULTI	Spring	S (NBR)
45x60x10-R2LS32-S	45.00	60.00	10.00	R2LS32	Rubber	MULTI	Spring	S (NBR)
45x60x10-RLS35-S	45.00	60.00	10.00	RLS35	Rubber	SGL	Spring	S (NBR)
45x62x7-R2LS32-S	45.00	62.00	7.00	R2LS32	Rubber	MULTI	Spring	S (NBR)
45x62x7-RLS35-S	45.00	62.00	7.00	RLS35	Rubber	SGL	Spring	S (NBR)
45x62x8-R2LS32-S	45.00	62.00	8.00	R2LS32	Rubber	MULTI	Spring	S (NBR)

SKUs available in single and bulk pack.
 All sizes can be made available in Viton® with MOQ and lead time.
 Viton® is a registered trademark of E.I. du Pont de Nemours and Company.
 Please contact your Timken sales engineer for more information.



Continued on next page.

Continued from previous page.

Timken Part Number	Shaft	Bore	Width	Model	O.D. Type	Lip	Spring	Lip Material
	mm	mm	mm					
45x62x8-RLS35-S	45.00	62.00	8.00	RLS35	Rubber	SGL	Spring	S (NBR)
45x62x9-RLS35-S	45.00	62.00	9.00	RLS35	Rubber	SGL	Spring	S (NBR)
45x62x10-R2LS32-S	45.00	62.00	10.00	R2LS32	Rubber	MULTI	Spring	S (NBR)
45x62x10-RLS35-S	45.00	62.00	10.00	RLS35	Rubber	SGL	Spring	S (NBR)
45x65x7 R2LS32-V	45.00	65.00	7.00	R2LS32	Rubber	MULTI	Spring	V (FKM)
45x65x8-R2LS32-S	45.00	65.00	8.00	R2LS32	Rubber	MULTI	Spring	S (NBR)
45x65x8-RLS35-S	45.00	65.00	8.00	RLS35	Rubber	SGL	Spring	S (NBR)
45x65x10-R2LS32-S	45.00	65.00	10.00	R2LS32	Rubber	MULTI	Spring	S (NBR)
45x65x10-RLS35-S	45.00	65.00	10.00	RLS35	Rubber	SGL	Spring	S (NBR)
45x68x7-R2LS32-S	45.00	68.00	7.00	R2LS32	Rubber	MULTI	Spring	S (NBR)
45x68x9-R2LS32-S	45.00	68.00	9.00	R2LS32	Rubber	MULTI	Spring	S (NBR)
45x68x10-R2LS32-S	45.00	68.00	10.00	R2LS32	Rubber	MULTI	Spring	S (NBR)
45x68x10-RLS35-S	45.00	68.00	10.00	RLS35	Rubber	SGL	Spring	S (NBR)
45x68x12-R2LS32-S	45.00	68.00	12.00	R2LS32	Rubber	MULTI	Spring	S (NBR)
45x68x12-RLS35-S	45.00	68.00	12.00	RLS35	Rubber	SGL	Spring	S (NBR)
45x70x8-R2LS32-S	45.00	70.00	8.00	R2LS32	Rubber	MULTI	Spring	S (NBR)
45x70x10-R2LS32-S	45.00	70.00	10.00	R2LS32	Rubber	MULTI	Spring	S (NBR)
45x70x12-R2LS32-S	45.00	70.00	12.00	R2LS32	Rubber	MULTI	Spring	S (NBR)
45x72x7-RLS35-S	45.00	72.00	7.00	RLS35	Rubber	SGL	Spring	S (NBR)
45x72x8-R2LS32-S	45.00	72.00	8.00	R2LS32	Rubber	MULTI	Spring	S (NBR)
45x72x8-RLS35-S	45.00	72.00	8.00	RLS35	Rubber	SGL	Spring	S (NBR)
45x72x10-R2LS32-S	45.00	72.00	10.00	R2LS32	Rubber	MULTI	Spring	S (NBR)
45x72x10-RLS35-S	45.00	72.00	10.00	RLS35	Rubber	SGL	Spring	S (NBR)
45x72x12-R2LS32-S	45.00	72.00	12.00	R2LS32	Rubber	MULTI	Spring	S (NBR)
45x75x7-R2LS32-S	45.00	75.00	7.00	R2LS32	Rubber	MULTI	Spring	S (NBR)
45x75x8-R2LS32-S	45.00	75.00	8.00	R2LS32	Rubber	MULTI	Spring	S (NBR)
45x78x10-RLS35-S	45.00	78.00	10.00	RLS35	Rubber	SGL	Spring	S (NBR)
45x78x12-R2LS32-S	45.00	78.00	12.00	R2LS32	Rubber	MULTI	Spring	S (NBR)
45x80x10-R2LS32-S	45.00	80.00	10.00	R2LS32	Rubber	MULTI	Spring	S (NBR)
45x80x10-RLS35-S	45.00	80.00	10.00	RLS35	Rubber	SGL	Spring	S (NBR)
45x85x10-R2LS32-S	45.00	85.00	10.00	R2LS32	Rubber	MULTI	Spring	S (NBR)
45x85x10-RLS35-S	45.00	85.00	10.00	RLS35	Rubber	SGL	Spring	S (NBR)
45x100x10-R2LS32-S	45.00	100.00	10.00	R2LS32	Rubber	MULTI	Spring	S (NBR)
Shaft 47.0 mm								
47x65x10-RLS35-S	47.00	65.00	10.00	RLS35	Rubber	SGL	Spring	S (NBR)
47x68x10-R2LS32-S	47.00	68.00	10.00	R2LS32	Rubber	MULTI	Spring	S (NBR)
47x70x10-R2LS32-S	47.00	70.00	10.00	R2LS32	Rubber	MULTI	Spring	S (NBR)

SKUs available in single and bulk pack.
 All sizes can be made available in Viton® with MOQ and lead time.
 Viton® is a registered trademark of E.I. du Pont de Nemours and Company.
 Please contact your Timken sales engineer for more information.



Continued on next page.

OIL SEAL PRODUCT TABLE

Continued from previous page.

Timken Part Number	Shaft	Bore	Width	Model	O.D. Type	Lip	Spring	Lip Material
	mm	mm	mm					
Shaft 48.0 mm								
48x58x4-RLS35-S	48.00	58.00	4.00	RLS35	Rubber	SGL	Spring	S (NBR)
48x60x8-R2LS32-S	48.00	60.00	8.00	R2LS32	Rubber	MULTI	Spring	S (NBR)
48x62x8-R2LS32-S	48.00	62.00	8.00	R2LS32	Rubber	MULTI	Spring	S (NBR)
48x62x8-R2LS32-V	48.00	62.00	8.00	R2LS32	Rubber	MULTI	Spring	V (FKM)
48x62x8-RLS35-S	48.00	62.00	8.00	RLS35	Rubber	SGL	Spring	S (NBR)
48x62x8-RLS35-V	48.00	62.00	8.00	RLS35	Rubber	SGL	Spring	V (FKM)
48x65x9-R2LS32-S	48.00	65.00	9.00	R2LS32	Rubber	MULTI	Spring	S (NBR)
48x65x10-R2LS32-S	48.00	65.00	10.00	R2LS32	Rubber	MULTI	Spring	S (NBR)
48x65x10-RLS35-S	48.00	65.00	10.00	RLS35	Rubber	SGL	Spring	S (NBR)
48x68x10-R2LS32-S	48.00	68.00	10.00	R2LS32	Rubber	MULTI	Spring	S (NBR)
48x68x10-RLS35-S	48.00	68.00	10.00	RLS35	Rubber	SGL	Spring	S (NBR)
48x68x12-R2LS32-S	48.00	68.00	12.00	R2LS32	Rubber	MULTI	Spring	S (NBR)
48x68x14-R2LS32-S	48.00	68.00	14.00	R2LS32	Rubber	MULTI	Spring	S (NBR)
48x70x7-R2LS32-S	48.00	70.00	7.00	R2LS32	Rubber	MULTI	Spring	S (NBR)
48x70x8-R2LS32-S	48.00	70.00	8.00	R2LS32	Rubber	MULTI	Spring	S (NBR)
48x70x9-R2LS32-S	48.00	70.00	9.00	R2LS32	Rubber	MULTI	Spring	S (NBR)
48x72x7-R2LS32-S	48.00	72.00	7.00	R2LS32	Rubber	MULTI	Spring	S (NBR)
48x72x7-RLS35-S	48.00	72.00	7.00	RLS35	Rubber	SGL	Spring	S (NBR)
48x72x8-R2LS32-S	48.00	72.00	8.00	R2LS32	Rubber	MULTI	Spring	S (NBR)
48x72x8-RLS35-S	48.00	72.00	8.00	RLS35	Rubber	SGL	Spring	S (NBR)
48x72x10-R2LS32-S	48.00	72.00	10.00	R2LS32	Rubber	MULTI	Spring	S (NBR)
48x72x10-RLS35-S	48.00	72.00	10.00	RLS35	Rubber	SGL	Spring	S (NBR)
48x74x10-R2LS32-S	48.00	74.00	10.00	R2LS32	Rubber	MULTI	Spring	S (NBR)
48x75x10-R2LS32-S	48.00	75.00	10.00	R2LS32	Rubber	MULTI	Spring	S (NBR)
48x80x8-R2LS32-S	48.00	80.00	8.00	R2LS32	Rubber	MULTI	Spring	S (NBR)
48x85x8-R2LS32-S	48.00	85.00	8.00	R2LS32	Rubber	MULTI	Spring	S (NBR)
48x90x10-RLS35-S	48.00	90.00	10.00	RLS35	Rubber	SGL	Spring	S (NBR)
Shaft 49.0 mm								
49x72x10-RLS35-S	49.00	72.00	10.00	RLS35	Rubber	SGL	Spring	S (NBR)
Shaft 50.0 mm								
50x60x7-R2LS32-S	50.00	60.00	7.00	R2LS32	Rubber	MULTI	Spring	S (NBR)
50x60x7-RLS35-S	50.00	60.00	7.00	RLS35	Rubber	SGL	Spring	S (NBR)
50x62x5-R2LS32-S	50.00	62.00	5.00	R2LS32	Rubber	MULTI	Spring	S (NBR)
50x62x5-RLS35-S	50.00	62.00	5.00	RLS35	Rubber	SGL	Spring	S (NBR)
50x62x7-R2LS32-S	50.00	62.00	7.00	R2LS32	Rubber	MULTI	Spring	S (NBR)
50x62x7-R2LS32-V	50.00	62.00	7.00	R2LS32	Rubber	MULTI	Spring	V (FKM)

SKUs available in single and bulk pack.
 All sizes can be made available in Viton® with MOQ and lead time.
 Viton® is a registered trademark of E.I. du Pont de Nemours and Company.
 Please contact your Timken sales engineer for more information.



Continued on next page.

Continued from previous page.

Timken Part Number	Shaft	Bore	Width	Model	O.D. Type	Lip	Spring	Lip Material
	mm	mm	mm					
50x62x7-RLS35-S	50.00	62.00	7.00	RLS35	Rubber	SGL	Spring	S (NBR)
50x62x8-R2LS32-S	50.00	62.00	8.00	R2LS32	Rubber	MULTI	Spring	S (NBR)
50x62x10-R2LS32-S	50.00	62.00	10.00	R2LS32	Rubber	MULTI	Spring	S (NBR)
50x62x10-RLS35-S	50.00	62.00	10.00	RLS35	Rubber	SGL	Spring	S (NBR)
50x64x6.5-R2LS32-S	50.00	64.00	6.50	R2LS32	Rubber	MULTI	Spring	S (NBR)
50x64x10-R2LS32-S	50.00	64.00	10.00	R2LS32	Rubber	MULTI	Spring	S (NBR)
50x65x8-R2LS32-S	50.00	65.00	8.00	R2LS32	Rubber	MULTI	Spring	S (NBR)
50x65x8-RLS35-S	50.00	65.00	8.00	RLS35	Rubber	SGL	Spring	S (NBR)
50x65x10-R2LS32-S	50.00	65.00	10.00	R2LS32	Rubber	MULTI	Spring	S (NBR)
50x65x10-RLS35-S	50.00	65.00	10.00	RLS35	Rubber	SGL	Spring	S (NBR)
50x68x8-R2LS32-S	50.00	68.00	8.00	R2LS32	Rubber	MULTI	Spring	S (NBR)
50x68x8-RLS35-S	50.00	68.00	8.00	RLS35	Rubber	SGL	Spring	S (NBR)
50x68x8-RLS35-V	50.00	68.00	8.00	RLS35	Rubber	SGL	Spring	V (FKM)
50x68x10-R2LS32-S	50.00	68.00	10.00	R2LS32	Rubber	MULTI	Spring	S (NBR)
50x68x10-RLS35-S	50.00	68.00	10.00	RLS35	Rubber	SGL	Spring	S (NBR)
50x70x8-R2LS32-S	50.00	70.00	8.00	R2LS32	Rubber	MULTI	Spring	S (NBR)
50x70x10-R2LS32-S	50.00	70.00	10.00	R2LS32	Rubber	MULTI	Spring	S (NBR)
50x70x10-R2LS32-V	50.00	70.00	10.00	R2LS32	Rubber	MULTI	Spring	V (FKM)
50x70x10-RLS35-S	50.00	70.00	10.00	RLS35	Rubber	SGL	Spring	S (NBR)
50x72x8-R2LS32-S	50.00	72.00	8.00	R2LS32	Rubber	MULTI	Spring	S (NBR)
50x72x8-RLS35-S	50.00	72.00	8.00	RLS35	Rubber	SGL	Spring	S (NBR)
50x72x8-RLS35-V	50.00	72.00	8.00	RLS35	Rubber	SGL	Spring	V (FKM)
50x72x10-R2LS32-S	50.00	72.00	10.00	R2LS32	Rubber	MULTI	Spring	S (NBR)
50x72x10-RLS35-S	50.00	72.00	10.00	RLS35	Rubber	SGL	Spring	S (NBR)
50x72x12-R2LS32-S	50.00	72.00	12.00	R2LS32	Rubber	MULTI	Spring	S (NBR)
50x72x12-RLS35-S	50.00	72.00	12.00	RLS35	Rubber	SGL	Spring	S (NBR)
50x75x10-R2LS32-S	50.00	75.00	10.00	R2LS32	Rubber	MULTI	Spring	S (NBR)
50x75x10-RLS35-S	50.00	75.00	10.00	RLS35	Rubber	SGL	Spring	S (NBR)
50x75x12-R2LS32-S	50.00	75.00	12.00	R2LS32	Rubber	MULTI	Spring	S (NBR)
50x78x8-R2LS32-S	50.00	78.00	8.00	R2LS32	Rubber	MULTI	Spring	S (NBR)
50x80x8-R2LS32-S	50.00	80.00	8.00	R2LS32	Rubber	MULTI	Spring	S (NBR)
50x80x8-RLS35-S	50.00	80.00	8.00	RLS35	Rubber	SGL	Spring	S (NBR)
50x80x10-R2LS32-S	50.00	80.00	10.00	R2LS32	Rubber	MULTI	Spring	S (NBR)
50x80x10-RLS35-S	50.00	80.00	10.00	RLS35	Rubber	SGL	Spring	S (NBR)
50x80x10-RLS35-V	50.00	80.00	10.00	RLS35	Rubber	SGL	Spring	V (FKM)
50x80x13-RLS35-S	50.00	80.00	13.00	RLS35	Rubber	SGL	Spring	S (NBR)
50x82x8-R2LS32-S	50.00	82.00	8.00	R2LS32	Rubber	MULTI	Spring	S (NBR)

SKUs available in single and bulk pack.
 All sizes can be made available in Viton® with MOQ and lead time.
 Viton® is a registered trademark of E.I. du Pont de Nemours and Company.
 Please contact your Timken sales engineer for more information.



Continued on next page.

OIL SEAL PRODUCT TABLE

Continued from previous page.

Timken Part Number	Shaft	Bore	Width	Model	O.D. Type	Lip	Spring	Lip Material
	mm	mm	mm					
50x85x8-R2LS32-S	50.00	85.00	8.00	R2LS32	Rubber	MULTI	Spring	S (NBR)
50x85x10-RLS35-S	50.00	85.00	10.00	RLS35	Rubber	SGL	Spring	S (NBR)
50x90x10-R2LS32-S	50.00	90.00	10.00	R2LS32	Rubber	MULTI	Spring	S (NBR)
50x90x10-RLS35-S	50.00	90.00	10.00	RLS35	Rubber	SGL	Spring	S (NBR)
50x110x10-R2LS32-S	50.00	110.00	10.00	R2LS32	Rubber	MULTI	Spring	S (NBR)
Shaft 50.5 mm								
50.5x62x9-R2LS32-S	50.50	62.00	9.00	R2LS32	Rubber	MULTI	Spring	S (NBR)
Shaft 52.0 mm								
52x62x7-R2LS32-S	52.00	62.00	7.00	R2LS32	Rubber	MULTI	Spring	S (NBR)
52x65x9-R2LS32-S	52.00	65.00	9.00	R2LS32	Rubber	MULTI	Spring	S (NBR)
52x65x9-RLS35-S	52.00	65.00	9.00	RLS35	Rubber	SGL	Spring	S (NBR)
52x68x8-R2LS32-S	52.00	68.00	8.00	R2LS32	Rubber	MULTI	Spring	S (NBR)
52x68x8-RLS35-S	52.00	68.00	8.00	RLS35	Rubber	SGL	Spring	S (NBR)
52x68x10-R2LS32-S	52.00	68.00	10.00	R2LS32	Rubber	MULTI	Spring	S (NBR)
52x68x10-RLS35-S	52.00	68.00	10.00	RLS35	Rubber	SGL	Spring	S (NBR)
52x69x10-RLS35-S	52.00	69.00	10.00	RLS35	Rubber	SGL	Spring	S (NBR)
52x70x8-R2LS32-S	52.00	70.00	8.00	R2LS32	Rubber	MULTI	Spring	S (NBR)
52x72x8-R2LS32-S	52.00	72.00	8.00	R2LS32	Rubber	MULTI	Spring	S (NBR)
52x72x8 R2LS32-V	52.00	72.00	8.00	R2LS32	Rubber	MULTI	Spring	V (FKM)
52x72x8-RLS35-S	52.00	72.00	8.00	RLS35	Rubber	SGL	Spring	S (NBR)
52x72x10-R2LS32-V	52.00	72.00	10.00	R2LS32	Rubber	MULTI	Spring	V (FKM)
52x72x10-RLS35-S	52.00	72.00	10.00	RLS35	Rubber	SGL	Spring	S (NBR)
52x75x8-R2LS32-S	52.00	75.00	8.00	R2LS32	Rubber	MULTI	Spring	S (NBR)
52x75x12-RLS35-S	52.00	75.00	12.00	RLS35	Rubber	SGL	Spring	S (NBR)
52x78x8-R2LS32-S	52.00	78.00	8.00	R2LS32	Rubber	MULTI	Spring	S (NBR)
52x80x8-R2LS32-S	52.00	80.00	8.00	R2LS32	Rubber	MULTI	Spring	S (NBR)
52x80x10-RLS35-S	52.00	80.00	10.00	RLS35	Rubber	SGL	Spring	S (NBR)
52x82x8-R2LS32-S	52.00	82.00	8.00	R2LS32	Rubber	MULTI	Spring	S (NBR)
52x85x8-R2LS32-S	52.00	85.00	8.00	R2LS32	Rubber	MULTI	Spring	S (NBR)
52x85x10-RLS35-S	52.00	85.00	10.00	RLS35	Rubber	SGL	Spring	S (NBR)
Shaft 53.0 mm								
53x68x10-RLS35-S	53.00	68.00	10.00	RLS35	Rubber	SGL	Spring	S (NBR)
Shaft 54.0 mm								
54x72x8-R2LS32-S	54.00	72.00	8.00	R2LS32	Rubber	MULTI	Spring	S (NBR)
54x72x10-R2LS32-S	54.00	72.00	10.00	R2LS32	Rubber	MULTI	Spring	S (NBR)
54x85x10-RLS35-S	54.00	85.00	10.00	RLS35	Rubber	SGL	Spring	S (NBR)

SKUs available in single and bulk pack.

All sizes can be made available in Viton® with MOQ and lead time.

Viton® is a registered trademark of E.I. du Pont de Nemours and Company.

Please contact your Timken sales engineer for more information.



Continued on next page.

Continued from previous page.

Timken Part Number	Shaft	Bore	Width	Model	O.D. Type	Lip	Spring	Lip Material
	mm	mm	mm					
Shaft 55.0 mm								
55x68x8-R2LS32-S	55.00	68.00	8.00	R2LS32	Rubber	MULTI	Spring	S (NBR)
55x68x8-RLS35-S	55.00	68.00	8.00	RLS35	Rubber	SGL	Spring	S (NBR)
55x70x8-R2LS32-S	55.00	70.00	8.00	R2LS32	Rubber	MULTI	Spring	S (NBR)
55x70x8 R2LS32-V	55.00	70.00	8.00	R2LS32	Rubber	MULTI	Spring	V (FKM)
55x70x8-RLS35-S	55.00	70.00	8.00	RLS35	Rubber	SGL	Spring	S (NBR)
55x70x10-R2LS32-S	55.00	70.00	10.00	R2LS32	Rubber	MULTI	Spring	S (NBR)
55x70x10-RLS35-S	55.00	70.00	10.00	RLS35	Rubber	SGL	Spring	S (NBR)
55x72x8-R2LS32-S	55.00	72.00	8.00	R2LS32	Rubber	MULTI	Spring	S (NBR)
55x72x8-R2LS32-V	55.00	72.00	8.00	R2LS32	Rubber	MULTI	Spring	V (FKM)
55x72x8-RLS35-S	55.00	72.00	8.00	RLS35	Rubber	SGL	Spring	S (NBR)
55x72x8-RLS35-V	55.00	72.00	8.00	RLS35	Rubber	SGL	Spring	V (FKM)
55x72x9-R2LS32-S	55.00	72.00	9.00	R2LS32	Rubber	MULTI	Spring	S (NBR)
55x72x10-R2LS32-S	55.00	72.00	10.00	R2LS32	Rubber	MULTI	Spring	S (NBR)
55x72x10-RLS35-S	55.00	72.00	10.00	RLS35	Rubber	SGL	Spring	S (NBR)
55x75x8-R2LS32-S	55.00	75.00	8.00	R2LS32	Rubber	MULTI	Spring	S (NBR)
55x75x8 R2LS32-V	55.00	75.00	8.00	R2LS32	Rubber	MULTI	Spring	V (FKM)
55x75x10-R2LS32-S	55.00	75.00	10.00	R2LS32	Rubber	MULTI	Spring	S (NBR)
55x75x10-RLS35-S	55.00	75.00	10.00	RLS35	Rubber	SGL	Spring	S (NBR)
55x75x12-RLS35-S	55.00	75.00	12.00	RLS35	Rubber	SGL	Spring	S (NBR)
55x78x8-R2LS32-S	55.00	78.00	8.00	R2LS32	Rubber	MULTI	Spring	S (NBR)
55x78x8-RLS35-S	55.00	78.00	8.00	RLS35	Rubber	SGL	Spring	S (NBR)
55x78x10-RLS35-S	55.00	78.00	10.00	RLS35	Rubber	SGL	Spring	S (NBR)
55x78x12-R2LS32-S	55.00	78.00	12.00	R2LS32	Rubber	MULTI	Spring	S (NBR)
55x80x8-R2LS32-S	55.00	80.00	8.00	R2LS32	Rubber	MULTI	Spring	S (NBR)
55x80x10-R2LS32-S	55.00	80.00	10.00	R2LS32	Rubber	MULTI	Spring	S (NBR)
55x80x10-RLS35-S	55.00	80.00	10.00	RLS35	Rubber	SGL	Spring	S (NBR)
55x80x12-RLS35-S	55.00	80.00	12.00	RLS35	Rubber	SGL	Spring	S (NBR)
55x80x13-RLS35-S	55.00	80.00	13.00	RLS35	Rubber	SGL	Spring	S (NBR)
55x82x12-R2LS32-S	55.00	82.00	12.00	R2LS32	Rubber	MULTI	Spring	S (NBR)
55x82x12-RLS35-S	55.00	82.00	12.00	RLS35	Rubber	SGL	Spring	S (NBR)
55x85x8-R2LS32-S	55.00	85.00	8.00	R2LS32	Rubber	MULTI	Spring	S (NBR)
55x85x8-RLS35-S	55.00	85.00	8.00	RLS35	Rubber	SGL	Spring	S (NBR)
55x85x10-R2LS32-S	55.00	85.00	10.00	R2LS32	Rubber	MULTI	Spring	S (NBR)
55x85x10-RLS35-S	55.00	85.00	10.00	RLS35	Rubber	SGL	Spring	S (NBR)
55x90x10-R2LS32-S	55.00	90.00	10.00	R2LS32	Rubber	MULTI	Spring	S (NBR)
55x90x10-RLS35-S	55.00	90.00	10.00	RLS35	Rubber	SGL	Spring	S (NBR)

SKUs available in single and bulk pack.
 All sizes can be made available in Viton® with MOQ and lead time.
 Viton® is a registered trademark of E.I. du Pont de Nemours and Company.
 Please contact your Timken sales engineer for more information.



Continued on next page.

OIL SEAL PRODUCT TABLE

Continued from previous page.

Timken Part Number	Shaft	Bore	Width	Model	O.D. Type	Lip	Spring	Lip Material
	mm	mm	mm					
55x90x13-R2LS32-S	55.00	90.00	13.00	R2LS32	Rubber	MULTI	Spring	S (NBR)
55x90x13-RLS35-S	55.00	90.00	13.00	RLS35	Rubber	SGL	Spring	S (NBR)
55x95x10-R2LS32-S	55.00	95.00	10.00	R2LS32	Rubber	MULTI	Spring	S (NBR)
55x100x10-R2LS32-S	55.00	100.00	10.00	R2LS32	Rubber	MULTI	Spring	S (NBR)
55x100x12-RLS35-S	55.00	100.00	12.00	RLS35	Rubber	SGL	Spring	S (NBR)
Shaft 56.0 mm								
56x68x10-R2LS32-S	56.00	68.00	10.00	R2LS32	Rubber	MULTI	Spring	S (NBR)
56x70x8-RLS35-S	56.00	70.00	8.00	RLS35	Rubber	SGL	Spring	S (NBR)
56x72x7-R2LS32-S	56.00	72.00	7.00	R2LS32	Rubber	MULTI	Spring	S (NBR)
56x72x8-R2LS32-S	56.00	72.00	8.00	R2LS32	Rubber	MULTI	Spring	S (NBR)
56x72x8-RLS35-S	56.00	72.00	8.00	RLS35	Rubber	SGL	Spring	S (NBR)
56x80x8-R2LS32-S	56.00	80.00	8.00	R2LS32	Rubber	MULTI	Spring	S (NBR)
56x80x8-RLS35-S	56.00	80.00	8.00	RLS35	Rubber	SGL	Spring	S (NBR)
56x82x8-R2LS32-S	56.00	82.00	8.00	R2LS32	Rubber	MULTI	Spring	S (NBR)
56x85x8-RLS35-S	56.00	85.00	8.00	RLS35	Rubber	SGL	Spring	S (NBR)
Shaft 57.0 mm								
57x67x6-R2LS32-S	57.00	67.00	6.00	R2LS32	Rubber	MULTI	Spring	S (NBR)
57x85x13-R2LS32-S	57.00	85.00	13.00	R2LS32	Rubber	MULTI	Spring	S (NBR)
Shaft 58.0 mm								
58x72x8-R2LS32-S	58.00	72.00	8.00	R2LS32	Rubber	MULTI	Spring	S (NBR)
58x72x8-RLS35-S	58.00	72.00	8.00	RLS35	Rubber	SGL	Spring	S (NBR)
58x72x8-RLS35-V	58.00	72.00	8.00	RLS35	Rubber	SGL	Spring	V (FKM)
58x75x8-R2LS32-S	58.00	75.00	8.00	R2LS32	Rubber	MULTI	Spring	S (NBR)
58x75x9-R2LS32-S	58.00	75.00	9.00	R2LS32	Rubber	MULTI	Spring	S (NBR)
58x75x11-RLS35-S	58.00	75.00	11.00	RLS35	Rubber	SGL	Spring	S (NBR)
58x80x8-R2LS32-S	58.00	80.00	8.00	R2LS32	Rubber	MULTI	Spring	S (NBR)
58x80x8-RLS35-S	58.00	80.00	8.00	RLS35	Rubber	SGL	Spring	S (NBR)
58x80x12-R2LS32-S	58.00	80.00	12.00	R2LS32	Rubber	MULTI	Spring	S (NBR)
58x85x8-R2LS32-S	58.00	85.00	8.00	R2LS32	Rubber	MULTI	Spring	S (NBR)
58x85x10-RLS35-S	58.00	85.00	10.00	RLS35	Rubber	SGL	Spring	S (NBR)
58x90x8-R2LS32-S	58.00	90.00	8.00	R2LS32	Rubber	MULTI	Spring	S (NBR)
58x90x10-R2LS32-S	58.00	90.00	10.00	R2LS32	Rubber	MULTI	Spring	S (NBR)
Shaft 60.0 mm								
60x72x8-R2LS32-S	60.00	72.00	8.00	R2LS32	Rubber	MULTI	Spring	S (NBR)
60x72x8-RLS35-S	60.00	72.00	8.00	RLS35	Rubber	SGL	Spring	S (NBR)
60x75x8-R2LS32-S	60.00	75.00	8.00	R2LS32	Rubber	MULTI	Spring	S (NBR)
60x75x8-R2LS32-V	60.00	75.00	8.00	R2LS32	Rubber	MULTI	Spring	V (FKM)

SKUs available in single and bulk pack.
 All sizes can be made available in Viton® with MOQ and lead time.
 Viton® is a registered trademark of E.I. du Pont de Nemours and Company.
 Please contact your Timken sales engineer for more information.



Continued on next page.

Continued from previous page.

Timken Part Number	Shaft	Bore	Width	Model	O.D. Type	Lip	Spring	Lip Material
	mm	mm	mm					
60x75x8-RLS35-S	60.00	75.00	8.00	RLS35	Rubber	SGL	Spring	S (NBR)
60x75x10-R2LS32-S	60.00	75.00	10.00	R2LS32	Rubber	MULTI	Spring	S (NBR)
60x78x8-R2LS32-S	60.00	78.00	8.00	R2LS32	Rubber	MULTI	Spring	S (NBR)
60x78x9-R2LS32-S	60.00	78.00	9.00	R2LS32	Rubber	MULTI	Spring	S (NBR)
60x80x8-R2LS32-S	60.00	80.00	8.00	R2LS32	Rubber	MULTI	Spring	S (NBR)
60x80x8-R2LS32-V	60.00	80.00	8.00	R2LS32	Rubber	MULTI	Spring	V (FKM)
60x80x8-RLS35-S	60.00	80.00	8.00	RLS35	Rubber	SGL	Spring	S (NBR)
60x80x8-RLS35-V	60.00	80.00	8.00	RLS35	Rubber	SGL	Spring	V (FKM)
60x80x10-R2LS32-S	60.00	80.00	10.00	R2LS32	Rubber	MULTI	Spring	S (NBR)
60x80x10-RLS35-S	60.00	80.00	10.00	RLS35	Rubber	SGL	Spring	S (NBR)
60x80x12-R2LS32-S	60.00	80.00	12.00	R2LS32	Rubber	MULTI	Spring	S (NBR)
60x80x12-RLS35-S	60.00	80.00	12.00	RLS35	Rubber	SGL	Spring	S (NBR)
60x80x13-RLS35-S	60.00	80.00	13.00	RLS35	Rubber	SGL	Spring	S (NBR)
60x82x7-R2LS32-S	60.00	82.00	7.00	R2LS32	Rubber	MULTI	Spring	S (NBR)
60x82x10-RLS35-S	60.00	82.00	10.00	RLS35	Rubber	SGL	Spring	S (NBR)
60x82x12-R2LS32-S	60.00	82.00	12.00	R2LS32	Rubber	MULTI	Spring	S (NBR)
60x85x8-R2LS32-S	60.00	85.00	8.00	R2LS32	Rubber	MULTI	Spring	S (NBR)
60x85x8-R2LS32-V	60.00	85.00	8.00	R2LS32	Rubber	MULTI	Spring	V (FKM)
60x85x8-RLS35-S	60.00	85.00	8.00	RLS35	Rubber	SGL	Spring	S (NBR)
60x85x10-R2LS32-S	60.00	85.00	10.00	R2LS32	Rubber	MULTI	Spring	S (NBR)
60x90x8-R2LS32-S	60.00	90.00	8.00	R2LS32	Rubber	MULTI	Spring	S (NBR)
60x90x8-RLS35-S	60.00	90.00	8.00	RLS35	Rubber	SGL	Spring	S (NBR)
60x90x10-R2LS32-S	60.00	90.00	10.00	R2LS32	Rubber	MULTI	Spring	S (NBR)
60x90x10-RLS35-S	60.00	90.00	10.00	RLS35	Rubber	SGL	Spring	S (NBR)
60x95x8-R2LS32-S	60.00	95.00	8.00	R2LS32	Rubber	MULTI	Spring	S (NBR)
60x95x10-R2LS32-S	60.00	95.00	10.00	R2LS32	Rubber	MULTI	Spring	S (NBR)
60x100x10-RLS35-S	60.00	100.00	10.00	RLS35	Rubber	SGL	Spring	S (NBR)
60x110x10-R2LS32-S	60.00	110.00	10.00	R2LS32	Rubber	MULTI	Spring	S (NBR)
Shaft 62.0 mm								
62x80x10-R2LS32-S	62.00	80.00	10.00	R2LS32	Rubber	MULTI	Spring	S (NBR)
62x80x10-RLS35-S	62.00	80.00	10.00	RLS35	Rubber	SGL	Spring	S (NBR)
62x85x8-R2LS32-S	62.00	85.00	8.00	R2LS32	Rubber	MULTI	Spring	S (NBR)
62x85x10-R2LS32-S	62.00	85.00	10.00	R2LS32	Rubber	MULTI	Spring	S (NBR)
62x85x10-RLS35-S	62.00	85.00	10.00	RLS35	Rubber	SGL	Spring	S (NBR)
62x85x12-RLS35-S	62.00	85.00	12.00	RLS35	Rubber	SGL	Spring	S (NBR)
62x90x10-R2LS32-S	62.00	90.00	10.00	R2LS32	Rubber	MULTI	Spring	S (NBR)
62x90x10-R2LS32-V	62.00	90.00	10.00	R2LS32	Rubber	MULTI	Spring	V (FKM)

SKUs available in single and bulk pack.
 All sizes can be made available in Viton® with MOQ and lead time.
 Viton® is a registered trademark of E.I. du Pont de Nemours and Company.
 Please contact your Timken sales engineer for more information.



Continued on next page.

OIL SEAL PRODUCT TABLE

Continued from previous page.

Timken Part Number	Shaft	Bore	Width	Model	O.D. Type	Lip	Spring	Lip Material
	mm	mm	mm					
62x90x10-RLS35-S	62.00	90.00	10.00	RLS35	Rubber	SGL	Spring	S (NBR)
62x95x10-R2LS32-S	62.00	95.00	10.00	R2LS32	Rubber	MULTI	Spring	S (NBR)
62x100x12-RLS35-S	62.00	100.00	12.00	RLS35	Rubber	SGL	Spring	S (NBR)
Shaft 63.0 mm								
63x78x10-RLS35-S	63.00	78.00	10.00	RLS35	Rubber	SGL	Spring	S (NBR)
63x80x9-R2LS32-S	63.00	80.00	9.00	R2LS32	Rubber	MULTI	Spring	S (NBR)
63x85x10-R2LS32-S	63.00	85.00	10.00	R2LS32	Rubber	MULTI	Spring	S (NBR)
63x85x10-RLS35-S	63.00	85.00	10.00	RLS35	Rubber	SGL	Spring	S (NBR)
63x90x10-RLS35-S	63.00	90.00	10.00	RLS35	Rubber	SGL	Spring	S (NBR)
Shaft 64.0 mm								
64x80x8-R2LS32-S	64.00	80.00	8.00	R2LS32	Rubber	MULTI	Spring	S (NBR)
64x80x8-RLS35-S	64.00	80.00	8.00	RLS35	Rubber	SGL	Spring	S (NBR)
Shaft 65.0 mm								
65x80x8-R2LS32-S	65.00	80.00	8.00	R2LS32	Rubber	MULTI	Spring	S (NBR)
65x80x8-RLS35-S	65.00	80.00	8.00	RLS35	Rubber	SGL	Spring	S (NBR)
65x82x8-R2LS32-S	65.00	82.00	8.00	R2LS32	Rubber	MULTI	Spring	S (NBR)
65x82x10-RLS35-S	65.00	82.00	10.00	RLS35	Rubber	SGL	Spring	S (NBR)
65x85x8-R2LS32-S	65.00	85.00	8.00	R2LS32	Rubber	MULTI	Spring	S (NBR)
65x85x8-RLS35-S	65.00	85.00	8.00	RLS35	Rubber	SGL	Spring	S (NBR)
65x85x10-R2LS32-S	65.00	85.00	10.00	R2LS32	Rubber	MULTI	Spring	S (NBR)
65x85x10-RLS35-S	65.00	85.00	10.00	RLS35	Rubber	SGL	Spring	S (NBR)
65x85x12-R2LS32-S	65.00	85.00	12.00	R2LS32	Rubber	MULTI	Spring	S (NBR)
65x85x12-RLS35-S	65.00	85.00	12.00	RLS35	Rubber	SGL	Spring	S (NBR)
65x85x13-R2LS32-S	65.00	85.00	13.00	R2LS32	Rubber	MULTI	Spring	S (NBR)
65x88x8-R2LS32-S	65.00	88.00	8.00	R2LS32	Rubber	MULTI	Spring	S (NBR)
65x88x10-R2LS32-S	65.00	88.00	10.00	R2LS32	Rubber	MULTI	Spring	S (NBR)
65x88x12-R2LS32-S	65.00	88.00	12.00	R2LS32	Rubber	MULTI	Spring	S (NBR)
65x90x10-R2LS32-S	65.00	90.00	10.00	R2LS32	Rubber	MULTI	Spring	S (NBR)
65x90x10-R2LS32-V	65.00	90.00	10.00	R2LS32	Rubber	MULTI	Spring	V (FKM)
65x90x10-RLS35-S	65.00	90.00	10.00	RLS35	Rubber	SGL	Spring	S (NBR)
65x90x10-RLS35-V	65.00	90.00	10.00	RLS35	Rubber	SGL	Spring	V (FKM)
65x90x12-RLS35-S	65.00	90.00	12.00	RLS35	Rubber	SGL	Spring	S (NBR)
65x90x13-R2LS32-S	65.00	90.00	13.00	R2LS32	Rubber	MULTI	Spring	S (NBR)
65x90x13-RLS35-S	65.00	90.00	13.00	RLS35	Rubber	SGL	Spring	S (NBR)
65x95x10-R2LS32-S	65.00	95.00	10.00	R2LS32	Rubber	MULTI	Spring	S (NBR)
65x95x10-RLS35-S	65.00	95.00	10.00	RLS35	Rubber	SGL	Spring	S (NBR)
65x100x10-R2LS32-S	65.00	100.00	10.00	R2LS32	Rubber	MULTI	Spring	S (NBR)

SKUs available in single and bulk pack.
 All sizes can be made available in Viton® with MOQ and lead time.
 Viton® is a registered trademark of E.I. du Pont de Nemours and Company.
 Please contact your Timken sales engineer for more information.



Continued on next page.

Continued from previous page.

Timken Part Number	Shaft	Bore	Width	Model	O.D. Type	Lip	Spring	Lip Material
	mm	mm	mm					
65x100x10-RLS35-S	65.00	100.00	10.00	RLS35	Rubber	SGL	Spring	S (NBR)
65x100x10-RLS35-V	65.00	100.00	10.00	RLS35	Rubber	SGL	Spring	V (FKM)
Shaft 68.0 mm								
68x85x8-RLS35-V	68.00	85.00	8.00	RLS35	Rubber	SGL	Spring	V (FKM)
68x85x10-R2LS32-S	68.00	85.00	10.00	R2LS32	Rubber	MULTI	Spring	S (NBR)
68x90x8-R2LS32-S	68.00	90.00	8.00	R2LS32	Rubber	MULTI	Spring	S (NBR)
68x90x10-R2LS32-S	68.00	90.00	10.00	R2LS32	Rubber	MULTI	Spring	S (NBR)
68x90x10-R2LS32-V	68.00	90.00	10.00	R2LS32	Rubber	MULTI	Spring	V (FKM)
68x90x10-RLS35-S	68.00	90.00	10.00	RLS35	Rubber	SGL	Spring	S (NBR)
68x90x10-RLS35-V	68.00	90.00	10.00	RLS35	Rubber	SGL	Spring	V (FKM)
68x90x12-RLS35-S	68.00	90.00	12.00	RLS35	Rubber	SGL	Spring	S (NBR)
68x100x10-RLS35-S	68.00	100.00	10.00	RLS35	Rubber	SGL	Spring	S (NBR)
68x100x13-R2LS32-S	68.00	100.00	13.00	R2LS32	Rubber	MULTI	Spring	S (NBR)
Shaft 70.0 mm								
70x85x7-R2LS32-S	70.00	85.00	7.00	R2LS32	Rubber	MULTI	Spring	S (NBR)
70x85x7-RLS35-S	70.00	85.00	7.00	RLS35	Rubber	SGL	Spring	S (NBR)
70x85x8-R2LS32-S	70.00	85.00	8.00	R2LS32	Rubber	MULTI	Spring	S (NBR)
70x85x8-RLS35-S	70.00	85.00	8.00	RLS35	Rubber	SGL	Spring	S (NBR)
70x88x12-RLS35-S	70.00	88.00	12.00	RLS35	Rubber	SGL	Spring	S (NBR)
70x90x10-R2LS32-S	70.00	90.00	10.00	R2LS32	Rubber	MULTI	Spring	S (NBR)
70x90x10-RLS35-S	70.00	90.00	10.00	RLS35	Rubber	SGL	Spring	S (NBR)
70x90x12-R2LS32-S	70.00	90.00	12.00	R2LS32	Rubber	MULTI	Spring	S (NBR)
70x90x12-RLS35-S	70.00	90.00	12.00	RLS35	Rubber	SGL	Spring	S (NBR)
70x90x13-R2LS32-S	70.00	90.00	13.00	R2LS32	Rubber	MULTI	Spring	S (NBR)
70x90x13-RLS35-S	70.00	90.00	13.00	RLS35	Rubber	SGL	Spring	S (NBR)
70x92x12-R2LS32-S	70.00	92.00	12.00	R2LS32	Rubber	MULTI	Spring	S (NBR)
70x95x10-R2LS32-S	70.00	95.00	10.00	R2LS32	Rubber	MULTI	Spring	S (NBR)
70x95x10-R2LS32-V	70.00	95.00	10.00	R2LS32	Rubber	MULTI	Spring	V (FKM)
70x95x10-RLS35-S	70.00	95.00	10.00	RLS35	Rubber	SGL	Spring	S (NBR)
70x95x13-R2LS32-S	70.00	95.00	13.00	R2LS32	Rubber	MULTI	Spring	S (NBR)
70x95x13-RLS35-S	70.00	95.00	13.00	RLS35	Rubber	SGL	Spring	S (NBR)
70x100x10-R2LS32-S	70.00	100.00	10.00	R2LS32	Rubber	MULTI	Spring	S (NBR)
70x100x10-RLS35-S	70.00	100.00	10.00	RLS35	Rubber	SGL	Spring	S (NBR)
70x100x10-RLS35-V	70.00	100.00	10.00	RLS35	Rubber	SGL	Spring	V (FKM)
70x100x12-RLS35-S	70.00	100.00	12.00	RLS35	Rubber	SGL	Spring	S (NBR)
70x100x13-RLS35-S	70.00	100.00	13.00	RLS35	Rubber	SGL	Spring	S (NBR)
70x105x13-RLS35-S	70.00	105.00	13.00	RLS35	Rubber	SGL	Spring	S (NBR)

SKUs available in single and bulk pack.
 All sizes can be made available in Viton® with MOQ and lead time.
 Viton® is a registered trademark of E.I. du Pont de Nemours and Company.
 Please contact your Timken sales engineer for more information.



Continued on next page.

OIL SEAL PRODUCT TABLE

Continued from previous page.

Timken Part Number	Shaft	Bore	Width	Model	O.D. Type	Lip	Spring	Lip Material
	mm	mm	mm					
70x110x10-R2LS32-S	70.00	110.00	10.00	R2LS32	Rubber	MULTI	Spring	S (NBR)
70x110x10-RLS35-S	70.00	110.00	10.00	RLS35	Rubber	SGL	Spring	S (NBR)
70x110x12-RLS35-S	70.00	110.00	12.00	RLS35	Rubber	SGL	Spring	S (NBR)
70x110x13-RLS35-S	70.00	110.00	13.00	RLS35	Rubber	SGL	Spring	S (NBR)
Shaft 72.0 mm								
72x86x7.5-R2LS32-S	72.00	86.00	7.50	R2LS32	Rubber	MULTI	Spring	S (NBR)
72x90x10-R2LS32-S	72.00	90.00	10.00	R2LS32	Rubber	MULTI	Spring	S (NBR)
72x90x10-RLS35-S	72.00	90.00	10.00	RLS35	Rubber	SGL	Spring	S (NBR)
72x95x10-R2LS32-S	72.00	95.00	10.00	R2LS32	Rubber	MULTI	Spring	S (NBR)
72x95x10-RLS35-S	72.00	95.00	10.00	RLS35	Rubber	SGL	Spring	S (NBR)
72x100x10-RLS35-S	72.00	100.00	10.00	RLS35	Rubber	SGL	Spring	S (NBR)
72x110x13-RLS35-S	72.00	110.00	13.00	RLS35	Rubber	SGL	Spring	S (NBR)
Shaft 75.0 mm								
75x90x8-R2LS32-S	75.00	90.00	8.00	R2LS32	Rubber	MULTI	Spring	S (NBR)
75x90x8-RLS35-S	75.00	90.00	8.00	RLS35	Rubber	SGL	Spring	S (NBR)
75x90x10-R2LS32-S	75.00	90.00	10.00	R2LS32	Rubber	MULTI	Spring	S (NBR)
75x90x10-RLS35-S	75.00	90.00	10.00	RLS35	Rubber	SGL	Spring	S (NBR)
75x90x10-RLS35-V	75.00	90.00	10.00	RLS35	Rubber	SGL	Spring	V (FKM)
75x95x8-R2LS32-S	75.00	95.00	8.00	R2LS32	Rubber	MULTI	Spring	S (NBR)
75x95x10-R2LS32-S	75.00	95.00	10.00	R2LS32	Rubber	MULTI	Spring	S (NBR)
75x95x10-R2LS32-V	75.00	95.00	10.00	R2LS32	Rubber	MULTI	Spring	V (FKM)
75x95x10-RLS35-S	75.00	95.00	10.00	RLS35	Rubber	SGL	Spring	S (NBR)
75x95x10-RLS35-V	75.00	95.00	10.00	RLS35	Rubber	SGL	Spring	V (FKM)
75x95x12-R2LS32-S	75.00	95.00	12.00	R2LS32	Rubber	MULTI	Spring	S (NBR)
75x95x12-RLS35-S	75.00	95.00	12.00	RLS35	Rubber	SGL	Spring	S (NBR)
75x95x12-RLS35-V	75.00	95.00	12.00	RLS35	Rubber	SGL	Spring	V (FKM)
75x100x10-R2LS32-S	75.00	100.00	10.00	R2LS32	Rubber	MULTI	Spring	S (NBR)
75x100x10-R2LS32-V	75.00	100.00	10.00	R2LS32	Rubber	MULTI	Spring	V (FKM)
75x100x10 R2LS32-V	75.00	100.00	10.00	R2LS32	Rubber	MULTI	Spring	V (FKM)
75x100x10-RLS35-S	75.00	100.00	10.00	RLS35	Rubber	SGL	Spring	S (NBR)
75x100x10-RLS35-V	75.00	100.00	10.00	RLS35	Rubber	SGL	Spring	V (FKM)
75x100x12-R2LS32-S	75.00	100.00	12.00	R2LS32	Rubber	MULTI	Spring	S (NBR)
75x100x12-RLS35-S	75.00	100.00	12.00	RLS35	Rubber	SGL	Spring	S (NBR)
75x100x13-R2LS32-S	75.00	100.00	13.00	R2LS32	Rubber	MULTI	Spring	S (NBR)
75x100x13-RLS35-S	75.00	100.00	13.00	RLS35	Rubber	SGL	Spring	S (NBR)
75x105x13-R2LS32-S	75.00	105.00	13.00	R2LS32	Rubber	MULTI	Spring	S (NBR)
75x105x13-RLS35-S	75.00	105.00	13.00	RLS35	Rubber	SGL	Spring	S (NBR)

SKUs available in single and bulk pack.
 All sizes can be made available in Viton® with MOQ and lead time.
 Viton® is a registered trademark of E.I. du Pont de Nemours and Company.
 Please contact your Timken sales engineer for more information.



Continued on next page.

Continued from previous page.

Timken Part Number	Shaft	Bore	Width	Model	O.D. Type	Lip	Spring	Lip Material
	mm	mm	mm					
75x110x10-R2LS32-S	75.00	110.00	10.00	R2LS32	Rubber	MULTI	Spring	S (NBR)
75x110x12-RLS35-S	75.00	110.00	12.00	RLS35	Rubber	SGL	Spring	S (NBR)
75x120x12-RLS35-S	75.00	120.00	12.00	RLS35	Rubber	SGL	Spring	S (NBR)
Shaft 78.0 mm								
78x100x10-R2LS32-S	78.00	100.00	10.00	R2LS32	Rubber	MULTI	Spring	S (NBR)
78x100x10-RLS35-S	78.00	100.00	10.00	RLS35	Rubber	SGL	Spring	S (NBR)
Shaft 80.0 mm								
80x100x10-R2LS32-S	80.00	100.00	10.00	R2LS32	Rubber	MULTI	Spring	S (NBR)
80x100x10-R2LS32-V	80.00	100.00	10.00	R2LS32	Rubber	MULTI	Spring	V (FKM)
80x100x10-RLS35-S	80.00	100.00	10.00	RLS35	Rubber	SGL	Spring	S (NBR)
80x100x10-RLS35-V	80.00	100.00	10.00	RLS35	Rubber	SGL	Spring	V (FKM)
80x100x12-R2LS32-S	80.00	100.00	12.00	R2LS32	Rubber	MULTI	Spring	S (NBR)
80x100x13-R2LS32-S	80.00	100.00	13.00	R2LS32	Rubber	MULTI	Spring	S (NBR)
80x100x13-RLS35-S	80.00	100.00	13.00	RLS35	Rubber	SGL	Spring	S (NBR)
80x105x10-R2LS32-S	80.00	105.00	10.00	R2LS32	Rubber	MULTI	Spring	S (NBR)
80x105x12-RLS35-S	80.00	105.00	12.00	RLS35	Rubber	SGL	Spring	S (NBR)
80x105x13-R2LS32-S	80.00	105.00	13.00	R2LS32	Rubber	MULTI	Spring	S (NBR)
80x105x13-RLS35-S	80.00	105.00	13.00	RLS35	Rubber	SGL	Spring	S (NBR)
80x110x10-R2LS32-S	80.00	110.00	10.00	R2LS32	Rubber	MULTI	Spring	S (NBR)
80x110x10-R2LS32-V	80.00	110.00	10.00	R2LS32	Rubber	MULTI	Spring	V (FKM)
80x110x10-RLS35-S	80.00	110.00	10.00	RLS35	Rubber	SGL	Spring	S (NBR)
80x110x12-R2LS32-S	80.00	110.00	12.00	R2LS32	Rubber	MULTI	Spring	S (NBR)
80x110x12-R2LS32-V	80.00	110.00	12.00	R2LS32	Rubber	MULTI	Spring	V (FKM)
80x110x12-RLS35-S	80.00	110.00	12.00	RLS35	Rubber	SGL	Spring	S (NBR)
80x110x12-RLS35-V	80.00	110.00	12.00	RLS35	Rubber	SGL	Spring	V (FKM)
80x110x13-RLS35-S	80.00	110.00	13.00	RLS35	Rubber	SGL	Spring	S (NBR)
80x115x13-R2LS32-S	80.00	115.00	13.00	R2LS32	Rubber	MULTI	Spring	S (NBR)
80x120x12-R2LS32-S	80.00	120.00	12.00	R2LS32	Rubber	MULTI	Spring	S (NBR)
80x120x13-RLS35-S	80.00	120.00	13.00	RLS35	Rubber	SGL	Spring	S (NBR)
Shaft 82.0 mm								
82x105x12-RLS35-S	82.00	105.00	12.00	RLS35	Rubber	SGL	Spring	S (NBR)
82x105x13-R2LS32-S	82.00	105.00	13.00	R2LS32	Rubber	MULTI	Spring	S (NBR)
82x110x12-R2LS32-S	82.00	110.00	12.00	R2LS32	Rubber	MULTI	Spring	S (NBR)
Shaft 85.0 mm								
85x100x9-R2LS32-S	85.00	100.00	9.00	R2LS32	Rubber	MULTI	Spring	S (NBR)
85x100x9-RLS35-S	85.00	100.00	9.00	RLS35	Rubber	SGL	Spring	S (NBR)
85x100x10-R2LS32-S	85.00	100.00	10.00	R2LS32	Rubber	MULTI	Spring	S (NBR)

SKUs available in single and bulk pack.
 All sizes can be made available in Viton® with MOQ and lead time.
 Viton® is a registered trademark of E.I. du Pont de Nemours and Company.
 Please contact your Timken sales engineer for more information.



Continued on next page.

OIL SEAL PRODUCT TABLE

Continued from previous page.

Timken Part Number	Shaft	Bore	Width	Model	O.D. Type	Lip	Spring	Lip Material
	mm	mm	mm					
85x105x13-R2LS32-S	85.00	105.00	13.00	R2LS32	Rubber	MULTI	Spring	S (NBR)
85x105x13-RLS35-S	85.00	105.00	13.00	RLS35	Rubber	SGL	Spring	S (NBR)
85x110x12-R2LS32-S	85.00	110.00	12.00	R2LS32	Rubber	MULTI	Spring	S (NBR)
85x110x12-RLS35-S	85.00	110.00	12.00	RLS35	Rubber	SGL	Spring	S (NBR)
85x110x12-RLS35-V	85.00	110.00	12.00	RLS35	Rubber	SGL	Spring	V (FKM)
85x110x13-R2LS32-S	85.00	110.00	13.00	R2LS32	Rubber	MULTI	Spring	S (NBR)
85x115x13-RLS35-S	85.00	115.00	13.00	RLS35	Rubber	SGL	Spring	S (NBR)
85x120x12-R2LS32-S	85.00	120.00	12.00	R2LS32	Rubber	MULTI	Spring	S (NBR)
85x120x12-RLS35-S	85.00	120.00	12.00	RLS35	Rubber	SGL	Spring	S (NBR)
85x130x12-R2LS32-S	85.00	130.00	12.00	R2LS32	Rubber	MULTI	Spring	S (NBR)
85x130x12-RLS35-S	85.00	130.00	12.00	RLS35	Rubber	SGL	Spring	S (NBR)
85x130x14-R2LS32-S	85.00	130.00	14.00	R2LS32	Rubber	MULTI	Spring	S (NBR)
Shaft 87.0 mm								
87x110x13-RLS35-S	87.00	110.00	13.00	RLS35	Rubber	SGL	Spring	S (NBR)
Shaft 88.0 mm								
88x110x12-RLS35-S	88.00	110.00	12.00	RLS35	Rubber	SGL	Spring	S (NBR)
88x110x13-RLS35-S	88.00	110.00	13.00	RLS35	Rubber	SGL	Spring	S (NBR)
Shaft 90.0 mm								
90x70x10-R2LS32-S	90.00	70.00	10.00	R2LS32	Rubber	MULTI	Spring	S (NBR)
90x110x5.5-R2LS32-S	90.00	110.00	5.50	R2LS32	Rubber	MULTI	Spring	S (NBR)
90x110x5.5-RLS35-S	90.00	110.00	5.50	RLS35	Rubber	SGL	Spring	S (NBR)
90x110x8-R2LS32-S	90.00	110.00	8.00	R2LS32	Rubber	MULTI	Spring	S (NBR)
90x110x12-R2LS32-V	90.00	110.00	12.00	R2LS32	Rubber	MULTI	Spring	V (FKM)
90x110x12-RLS35-V	90.00	110.00	12.00	RLS35	Rubber	SGL	Spring	V (FKM)
90x110x13-R2LS32-S	90.00	110.00	13.00	R2LS32	Rubber	MULTI	Spring	S (NBR)
90x110x13-RLS35-S	90.00	110.00	13.00	RLS35	Rubber	SGL	Spring	S (NBR)
90x115x10-R2LS32-S	90.00	115.00	10.00	R2LS32	Rubber	MULTI	Spring	S (NBR)
90x115x13-R2LS32-S	90.00	115.00	13.00	R2LS32	Rubber	MULTI	Spring	S (NBR)
90x115x13-RLS35-S	90.00	115.00	13.00	RLS35	Rubber	SGL	Spring	S (NBR)
90x120x12-R2LS32-S	90.00	120.00	12.00	R2LS32	Rubber	MULTI	Spring	S (NBR)
90x120x12-R2LS32-V	90.00	120.00	12.00	R2LS32	Rubber	MULTI	Spring	V (FKM)
90x120x12-RLS35-S	90.00	120.00	12.00	RLS35	Rubber	SGL	Spring	S (NBR)
90x120x12-RLS35-V	90.00	120.00	12.00	RLS35	Rubber	SGL	Spring	V (FKM)
90x120x13-R2LS32-S	90.00	120.00	13.00	R2LS32	Rubber	MULTI	Spring	S (NBR)
90x120x13-RLS35-S	90.00	120.00	13.00	RLS35	Rubber	SGL	Spring	S (NBR)
90x125x13-R2LS32-S	90.00	125.00	13.00	R2LS32	Rubber	MULTI	Spring	S (NBR)
90x125x13-RLS35-S	90.00	125.00	13.00	RLS35	Rubber	SGL	Spring	S (NBR)

SKUs available in single and bulk pack.
 All sizes can be made available in Viton® with MOQ and lead time.
 Viton® is a registered trademark of E.I. du Pont de Nemours and Company.
 Please contact your Timken sales engineer for more information.



Continued on next page.

Continued from previous page.

Timken Part Number	Shaft	Bore	Width	Model	O.D. Type	Lip	Spring	Lip Material
	mm	mm	mm					
90x140x13-RLS35-S	90.00	140.00	13.00	RLS35	Rubber	SGL	Spring	S (NBR)
Shaft 92.0 mm								
92x120x13-RLS35-S	92.00	120.00	13.00	RLS35	Rubber	SGL	Spring	S (NBR)
92x120x14-RLS35-S	92.00	120.00	14.00	RLS35	Rubber	SGL	Spring	S (NBR)
Shaft 95.0 mm								
95x110x9-R2LS32-S	95.00	110.00	9.00	R2LS32	Rubber	MULTI	Spring	S (NBR)
95x110x9-RLS35-S	95.00	110.00	9.00	RLS35	Rubber	SGL	Spring	S (NBR)
95x110x12-RLS35-S	95.00	110.00	12.00	RLS35	Rubber	SGL	Spring	S (NBR)
95x115x12-RLS35-S	95.00	115.00	12.00	RLS35	Rubber	SGL	Spring	S (NBR)
95x120x12-R2LS32-S	95.00	120.00	12.00	R2LS32	Rubber	MULTI	Spring	S (NBR)
95x120x12-RLS35-S	95.00	120.00	12.00	RLS35	Rubber	SGL	Spring	S (NBR)
95x120x13-R2LS32-S	95.00	120.00	13.00	R2LS32	Rubber	MULTI	Spring	S (NBR)
95x125x12-R2LS32-S	95.00	125.00	12.00	R2LS32	Rubber	MULTI	Spring	S (NBR)
95x125x12-RLS35-S	95.00	125.00	12.00	RLS35	Rubber	SGL	Spring	S (NBR)
95x125x12-RLS35-V	95.00	125.00	12.00	RLS35	Rubber	SGL	Spring	V (FKM)
95x130x12-R2LS32-S	95.00	130.00	12.00	R2LS32	Rubber	MULTI	Spring	S (NBR)
95x130x12-RLS35-S	95.00	130.00	12.00	RLS35	Rubber	SGL	Spring	S (NBR)
95x130x15-R2LS32-S	95.00	130.00	15.00	R2LS32	Rubber	MULTI	Spring	S (NBR)
Shaft 98.0 mm								
98x120x13-RLS35-S	98.00	120.00	13.00	RLS35	Rubber	SGL	Spring	S (NBR)
Shaft 100.0 mm								
100x115x9-RLS35-S	100.00	115.00	9.00	RLS35	Rubber	SGL	Spring	S (NBR)
100x120x10-R2LS32-S	100.00	120.00	10.00	R2LS32	Rubber	MULTI	Spring	S (NBR)
100x120x10-RLS35-S	100.00	120.00	10.00	RLS35	Rubber	SGL	Spring	S (NBR)
100x120x12-R2LS32-S	100.00	120.00	12.00	R2LS32	Rubber	MULTI	Spring	S (NBR)
100x120x12-RLS35-S	100.00	120.00	12.00	RLS35	Rubber	SGL	Spring	S (NBR)
100x120x13-R2LS32-S	100.00	120.00	13.00	R2LS32	Rubber	MULTI	Spring	S (NBR)
100x125x12-R2LS32-S	100.00	125.00	12.00	R2LS32	Rubber	MULTI	Spring	S (NBR)
100x125x12-RLS35-S	100.00	125.00	12.00	RLS35	Rubber	SGL	Spring	S (NBR)
100x125x13-R2LS32-S	100.00	125.00	13.00	R2LS32	Rubber	MULTI	Spring	S (NBR)
100x125x13-R2LS32-V	100.00	125.00	13.00	R2LS32	Rubber	MULTI	Spring	V (FKM)
100x125x13-RLS35-S	100.00	125.00	13.00	RLS35	Rubber	SGL	Spring	S (NBR)
100x130x12-R2LS32-S	100.00	130.00	12.00	R2LS32	Rubber	MULTI	Spring	S (NBR)
100x130x12-R2LS32-V	100.00	130.00	12.00	R2LS32	Rubber	MULTI	Spring	V (FKM)
100x130x12-RLS35-S	100.00	130.00	12.00	RLS35	Rubber	SGL	Spring	S (NBR)
100x130x12-RLS35-V	100.00	130.00	12.00	RLS35	Rubber	SGL	Spring	V (FKM)
100x130x13-R2LS32-S	100.00	130.00	13.00	R2LS32	Rubber	MULTI	Spring	S (NBR)

SKUs available in single and bulk pack.
 All sizes can be made available in Viton® with MOQ and lead time.
 Viton® is a registered trademark of E.I. du Pont de Nemours and Company.
 Please contact your Timken sales engineer for more information.



Continued on next page.

OIL SEAL PRODUCT TABLE

Continued from previous page.

Timken Part Number	Shaft	Bore	Width	Model	O.D. Type	Lip	Spring	Lip Material
	mm	mm	mm					
100x140x13-R2LS32-S	100.00	140.00	13.00	R2LS32	Rubber	MULTI	Spring	S (NBR)
100x140x13-RLS35-S	100.00	140.00	13.00	RLS35	Rubber	SGL	Spring	S (NBR)
100x150x12-RLS35-S	100.00	150.00	12.00	RLS35	Rubber	SGL	Spring	S (NBR)
Shaft 102.0 mm								
102x130x13-RLS35-S	102.00	130.00	13.00	RLS35	Rubber	SGL	Spring	S (NBR)
Shaft 105.0 mm								
105x125x13-R2LS32-S	105.00	125.00	13.00	R2LS32	Rubber	MULTI	Spring	S (NBR)
105x125x13-RLS35-S	105.00	125.00	13.00	RLS35	Rubber	SGL	Spring	S (NBR)
105x130x12-R2LS32-S	105.00	130.00	12.00	R2LS32	Rubber	MULTI	Spring	S (NBR)
105x130x12-RLS35-S	105.00	130.00	12.00	RLS35	Rubber	SGL	Spring	S (NBR)
105x130x13-R2LS32-S	105.00	130.00	13.00	R2LS32	Rubber	MULTI	Spring	S (NBR)
105x135x14-R2LS32-S	105.00	135.00	14.00	R2LS32	Rubber	MULTI	Spring	S (NBR)
105x140x12-R2LS32-S	105.00	140.00	12.00	R2LS32	Rubber	MULTI	Spring	S (NBR)
105x140x12-RLS35-S	105.00	140.00	12.00	RLS35	Rubber	SGL	Spring	S (NBR)
Shaft 110.0 mm								
110x130x12-R2LS32-S	110.00	130.00	12.00	R2LS32	Rubber	MULTI	Spring	S (NBR)
110x130x12-R2LS32-V	110.00	130.00	12.00	R2LS32	Rubber	MULTI	Spring	V (FKM)
110x130x12-RLS35-S	110.00	130.00	12.00	RLS35	Rubber	SGL	Spring	S (NBR)
110x130x13-R2LS32-S	110.00	130.00	13.00	R2LS32	Rubber	MULTI	Spring	S (NBR)
110x130x13-RLS35-S	110.00	130.00	13.00	RLS35	Rubber	SGL	Spring	S (NBR)
110x135x12-RLS35-S	110.00	135.00	12.00	RLS35	Rubber	SGL	Spring	S (NBR)
110x140x12-R2LS32-S	110.00	140.00	12.00	R2LS32	Rubber	MULTI	Spring	S (NBR)
110x140x12-RLS35-S	110.00	140.00	12.00	RLS35	Rubber	SGL	Spring	S (NBR)
110x140x13-R2LS32-S	110.00	140.00	13.00	R2LS32	Rubber	MULTI	Spring	S (NBR)
110x140x13-RLS35-S	110.00	140.00	13.00	RLS35	Rubber	SGL	Spring	S (NBR)
110x140x14-R2LS32-S	110.00	140.00	14.00	R2LS32	Rubber	MULTI	Spring	S (NBR)
110x145x15-R2LS32-S	110.00	145.00	15.00	R2LS32	Rubber	MULTI	Spring	S (NBR)
110x150x13-RLS35-S	110.00	150.00	13.00	RLS35	Rubber	SGL	Spring	S (NBR)
Shaft 114.0 mm								
114x135x13-R2LS32-S	114.00	135.00	13.00	R2LS32	Rubber	MULTI	Spring	S (NBR)
114x140x10-RLS35-S	114.00	140.00	10.00	RLS35	Rubber	SGL	Spring	S (NBR)
114x140x13-R2LS32-S	114.00	140.00	13.00	R2LS32	Rubber	MULTI	Spring	S (NBR)
Shaft 115.0 mm								
115x140x12-R2LS32-S	115.00	140.00	12.00	R2LS32	Rubber	MULTI	Spring	S (NBR)
115x140x12-RLS35-S	115.00	140.00	12.00	RLS35	Rubber	SGL	Spring	S (NBR)
115x140x13-R2LS32-S	115.00	140.00	13.00	R2LS32	Rubber	MULTI	Spring	S (NBR)
115x140x13-RLS35-S	115.00	140.00	13.00	RLS35	Rubber	SGL	Spring	S (NBR)

SKUs available in single and bulk pack.
 All sizes can be made available in Viton® with MOQ and lead time.
 Viton® is a registered trademark of E.I. du Pont de Nemours and Company.
 Please contact your Timken sales engineer for more information.



Continued on next page.

Continued from previous page.

Timken Part Number	Shaft	Bore	Width	Model	O.D. Type	Lip	Spring	Lip Material
	mm	mm	mm					
115x145x14-R2LS32-S	115.00	145.00	14.00	R2LS32	Rubber	MULTI	Spring	S (NBR)
115x150x12-R2LS32-S	115.00	150.00	12.00	R2LS32	Rubber	MULTI	Spring	S (NBR)
115x150x12-RLS35-S	115.00	150.00	12.00	RLS35	Rubber	SGL	Spring	S (NBR)
Shaft 120.0 mm								
120x140x13-R2LS32-S	120.00	140.00	13.00	R2LS32	Rubber	MULTI	Spring	S (NBR)
120x140x13-RLS35-S	120.00	140.00	13.00	RLS35	Rubber	SGL	Spring	S (NBR)
120x145x12-RLS35-S	120.00	145.00	12.00	RLS35	Rubber	SGL	Spring	S (NBR)
120x150x12-R2LS32-S	120.00	150.00	12.00	R2LS32	Rubber	MULTI	Spring	S (NBR)
120x150x12-R2LS32-V	120.00	150.00	12.00	R2LS32	Rubber	MULTI	Spring	V (FKM)
120x150x12-RLS35-S	120.00	150.00	12.00	RLS35	Rubber	SGL	Spring	S (NBR)
120x150x12-RLS35-V	120.00	150.00	12.00	RLS35	Rubber	SGL	Spring	V (FKM)
120x150x13-R2LS32-S	120.00	150.00	13.00	R2LS32	Rubber	MULTI	Spring	S (NBR)
120x150x13-RLS35-S	120.00	150.00	13.00	RLS35	Rubber	SGL	Spring	S (NBR)
120x150x14-R2LS32-S	120.00	150.00	14.00	R2LS32	Rubber	MULTI	Spring	S (NBR)
120x155x16-R2LS32-S	120.00	155.00	16.00	R2LS32	Rubber	MULTI	Spring	S (NBR)
120x160x12-R2LS32-S	120.00	160.00	12.00	R2LS32	Rubber	MULTI	Spring	S (NBR)
120x160x12-RLS35-S	120.00	160.00	12.00	RLS35	Rubber	SGL	Spring	S (NBR)
120x160x12-RLS35-V	120.00	160.00	12.00	RLS35	Rubber	SGL	Spring	V (FKM)
Shaft 125.0 mm								
125x150x12-R2LS32-S	125.00	150.00	12.00	R2LS32	Rubber	MULTI	Spring	S (NBR)
125x150x12-R2LS32-V	125.00	150.00	12.00	R2LS32	Rubber	MULTI	Spring	V (FKM)
125x150x12-RLS35-S	125.00	150.00	12.00	RLS35	Rubber	SGL	Spring	S (NBR)
125x150x13-R2LS32-S	125.00	150.00	13.00	R2LS32	Rubber	MULTI	Spring	S (NBR)
125x150x13-RLS35-S	125.00	150.00	13.00	RLS35	Rubber	SGL	Spring	S (NBR)
125x155x14-R2LS32-S	125.00	155.00	14.00	R2LS32	Rubber	MULTI	Spring	S (NBR)
125x155x14-R2LS32-V	125.00	155.00	14.00	R2LS32	Rubber	MULTI	Spring	V (FKM)
125x160x12-RLS35-S	125.00	160.00	12.00	RLS35	Rubber	SGL	Spring	S (NBR)
125x170x15-R2LS32-S	125.00	170.00	15.00	R2LS32	Rubber	MULTI	Spring	S (NBR)
125x170x15-R2LS32-V	125.00	170.00	15.00	R2LS32	Rubber	MULTI	Spring	V (FKM)
Shaft 128.0 mm								
128x150x15-RLS35-S	128.00	150.00	15.00	RLS35	Rubber	SGL	Spring	S (NBR)
Shaft 130.0 mm								
130x160x12-R2LS32-S	130.00	160.00	12.00	R2LS32	Rubber	MULTI	Spring	S (NBR)
130x160x12-RLS35-S	130.00	160.00	12.00	RLS35	Rubber	SGL	Spring	S (NBR)
130x160x12-RLS35-V	130.00	160.00	12.00	RLS35	Rubber	SGL	Spring	V (FKM)
130x160x13-R2LS32-S	130.00	160.00	13.00	R2LS32	Rubber	MULTI	Spring	S (NBR)
130x160x13-RLS35-S	130.00	160.00	13.00	RLS35	Rubber	SGL	Spring	S (NBR)

SKUs available in single and bulk pack.
 All sizes can be made available in Viton® with MOQ and lead time.
 Viton® is a registered trademark of E.I. du Pont de Nemours and Company.
 Please contact your Timken sales engineer for more information.



Continued on next page.

OIL SEAL PRODUCT TABLE

Continued from previous page.

Timken Part Number	Shaft	Bore	Width	Model	O.D. Type	Lip	Spring	Lip Material
	mm	mm	mm					
130x160x14-R2LS32-S	130.00	160.00	14.00	R2LS32	Rubber	MULTI	Spring	S (NBR)
130x160x15-R2LS32-S	130.00	160.00	15.00	R2LS32	Rubber	MULTI	Spring	S (NBR)
130x160x15-RLS35-S	130.00	160.00	15.00	RLS35	Rubber	SGL	Spring	S (NBR)
130x170x12-R2LS32-S	130.00	170.00	12.00	R2LS32	Rubber	MULTI	Spring	S (NBR)
130x170x12-RLS35-S	130.00	170.00	12.00	RLS35	Rubber	SGL	Spring	S (NBR)
130x170x12-RLS35-V	130.00	170.00	12.00	RLS35	Rubber	SGL	Spring	V (FKM)
130x170x15-RLS35-S	130.00	170.00	15.00	RLS35	Rubber	SGL	Spring	S (NBR)
Shaft 135.0 mm								
135x160x12-RLS35-S	135.00	160.00	12.00	RLS35	Rubber	SGL	Spring	S (NBR)
135x160x13-R2LS32-S	135.00	160.00	13.00	R2LS32	Rubber	MULTI	Spring	S (NBR)
135x160x13-RLS35-S	135.00	160.00	13.00	RLS35	Rubber	SGL	Spring	S (NBR)
135x160x15-RLS35-S	135.00	160.00	15.00	RLS35	Rubber	SGL	Spring	S (NBR)
135x165x14-R2LS32-S	135.00	165.00	14.00	R2LS32	Rubber	MULTI	Spring	S (NBR)
135x170x12-R2LS32-S	135.00	170.00	12.00	R2LS32	Rubber	MULTI	Spring	S (NBR)
135x170x12-RLS35-S	135.00	170.00	12.00	RLS35	Rubber	SGL	Spring	S (NBR)
Shaft 140.0 mm								
140x160x12-R2LS32-S	140.00	160.00	12.00	R2LS32	Rubber	MULTI	Spring	S (NBR)
140x160x13-RLS35-S	140.00	160.00	13.00	RLS35	Rubber	SGL	Spring	S (NBR)
140x170x12-R2LS32-S	140.00	170.00	12.00	R2LS32	Rubber	MULTI	Spring	S (NBR)
140x170x13-RLS35-S	140.00	170.00	13.00	RLS35	Rubber	SGL	Spring	S (NBR)
140x170x15-R2LS32-S	140.00	170.00	15.00	R2LS32	Rubber	MULTI	Spring	S (NBR)
140x170x15-R2LS32-V	140.00	170.00	15.00	R2LS32	Rubber	MULTI	Spring	V (FKM)
140x170x15-RLS35-S	140.00	170.00	15.00	RLS35	Rubber	SGL	Spring	S (NBR)
140x170x15-RLS35-V	140.00	170.00	15.00	RLS35	Rubber	SGL	Spring	V (FKM)
140x180x12-RLS35-S	140.00	180.00	12.00	RLS35	Rubber	SGL	Spring	S (NBR)
Shaft 144.0 mm								
144x160x12-R2LS32-S	144.00	160.00	12.00	R2LS32	Rubber	MULTI	Spring	S (NBR)
Shaft 145.0 mm								
145x170x12-R2LS32-S	145.00	170.00	12.00	R2LS32	Rubber	MULTI	Spring	S (NBR)
145x170x15-RLS35-S	145.00	170.00	15.00	RLS35	Rubber	SGL	Spring	S (NBR)
145x175x14-R2LS32-S	145.00	175.00	14.00	R2LS32	Rubber	MULTI	Spring	S (NBR)
145x175x15-R2LS32-V	145.00	175.00	15.00	R2LS32	Rubber	MULTI	Spring	V (FKM)
145x175x15-RLS35-S	145.00	175.00	15.00	RLS35	Rubber	SGL	Spring	S (NBR)
145x175x15-RLS35-V	145.00	175.00	15.00	RLS35	Rubber	SGL	Spring	V (FKM)
145x180x12-RLS35-S	145.00	180.00	12.00	RLS35	Rubber	SGL	Spring	S (NBR)
145x180x12-RLS35-V	145.00	180.00	12.00	RLS35	Rubber	SGL	Spring	V (FKM)
145x190x16-R2LS32-S	145.00	190.00	16.00	R2LS32	Rubber	MULTI	Spring	S (NBR)

SKUs available in single and bulk pack.
 All sizes can be made available in Viton® with MOQ and lead time.
 Viton® is a registered trademark of E.I. du Pont de Nemours and Company.
 Please contact your Timken sales engineer for more information.



Continued on next page.

Continued from previous page.

Timken Part Number	Shaft	Bore	Width	Model	O.D. Type	Lip	Spring	Lip Material
	mm	mm	mm					
Shaft 148.0 mm								
148x170x15-RLS35-S	148.00	170.00	15.00	RLS35	Rubber	SGL	Spring	S (NBR)
Shaft 150.0 mm								
150x170x12-R2LS32-S	150.00	170.00	12.00	R2LS32	Rubber	MULTI	Spring	S (NBR)
150x180x12-RLS35-S	150.00	180.00	12.00	RLS35	Rubber	SGL	Spring	S (NBR)
150x180x13-R2LS32-S	150.00	180.00	13.00	R2LS32	Rubber	MULTI	Spring	S (NBR)
150x180x13-RLS35-S	150.00	180.00	13.00	RLS35	Rubber	SGL	Spring	S (NBR)
150x180x14-R2LS32-S	150.00	180.00	14.00	R2LS32	Rubber	MULTI	Spring	S (NBR)
150x180x14-RLS35-S	150.00	180.00	14.00	RLS35	Rubber	SGL	Spring	S (NBR)
150x180x15-R2LS32-V	150.00	180.00	15.00	R2LS32	Rubber	MULTI	Spring	V (FKM)
150x180x15-RLS35-S	150.00	180.00	15.00	RLS35	Rubber	SGL	Spring	S (NBR)
150x180x15-RLS35-V	150.00	180.00	15.00	RLS35	Rubber	SGL	Spring	V (FKM)
Shaft 155.0 mm								
155x180x15-R2LS32-S	155.00	180.00	15.00	R2LS32	Rubber	MULTI	Spring	S (NBR)
155x190x15-RLS35-S	155.00	190.00	15.00	RLS35	Rubber	SGL	Spring	S (NBR)
Shaft 160.0 mm								
160x185x10-RLS35-S	160.00	185.00	10.00	RLS35	Rubber	SGL	Spring	S (NBR)
160x190x15-R2LS32-S	160.00	190.00	15.00	R2LS32	Rubber	MULTI	Spring	S (NBR)
160x190x15-R2LS32-V	160.00	190.00	15.00	R2LS32	Rubber	MULTI	Spring	V (FKM)
160x190x15-RLS35-S	160.00	190.00	15.00	RLS35	Rubber	SGL	Spring	S (NBR)
160x190x15-RLS35-V	160.00	190.00	15.00	RLS35	Rubber	SGL	Spring	V (FKM)
160x200x15-R2LS32-S	160.00	200.00	15.00	R2LS32	Rubber	MULTI	Spring	S (NBR)
Shaft 165.0 mm								
165x190x13-RLS35-S	165.00	190.00	13.00	RLS35	Rubber	SGL	Spring	S (NBR)
Shaft 170.0 mm								
170x200x12-RLS35-S	170.00	200.00	12.00	RLS35	Rubber	SGL	Spring	S (NBR)
170x200x15-R2LS32-S	170.00	200.00	15.00	R2LS32	Rubber	MULTI	Spring	S (NBR)
170x200x15-RLS35-S	170.00	200.00	15.00	RLS35	Rubber	SGL	Spring	S (NBR)
170x200x15-RLS35-V	170.00	200.00	15.00	RLS35	Rubber	SGL	Spring	V (FKM)
170x200x16-R2LS32-S	170.00	200.00	16.00	R2LS32	Rubber	MULTI	Spring	S (NBR)
170x200x16-R2LS32-V	170.00	200.00	16.00	R2LS32	Rubber	MULTI	Spring	V (FKM)
170x200x16-RLS35-S	170.00	200.00	16.00	RLS35	Rubber	SGL	Spring	S (NBR)
170x210x15-R2LS32-S	170.00	210.00	15.00	R2LS32	Rubber	MULTI	Spring	S (NBR)
Shaft 175.0 mm								
175x200x15-R2LS32-S	175.00	200.00	15.00	R2LS32	Rubber	MULTI	Spring	S (NBR)
175x200x15-RLS35-S	175.00	200.00	15.00	RLS35	Rubber	SGL	Spring	S (NBR)

SKUs available in single and bulk pack.
 All sizes can be made available in Viton® with MOQ and lead time.
 Viton® is a registered trademark of E.I. du Pont de Nemours and Company.
 Please contact your Timken sales engineer for more information.



Continued on next page.

OIL SEAL PRODUCT TABLE

Continued from previous page.

Timken Part Number	Shaft	Bore	Width	Model	O.D. Type	Lip	Spring	Lip Material
	mm	mm	mm					
Shaft 180.0 mm								
180x200x15-RLS35-S	180.00	200.00	15.00	RLS35	Rubber	SGL	Spring	S (NBR)
180x210x15-R2LS32-S	180.00	210.00	15.00	R2LS32	Rubber	MULTI	Spring	S (NBR)
180x210x15-RLS35-S	180.00	210.00	15.00	RLS35	Rubber	SGL	Spring	S (NBR)
Shaft 185.0 mm								
185x210x13-RLS35-S	185.00	210.00	13.00	RLS35	Rubber	SGL	Spring	S (NBR)
Shaft 190.0 mm								
190x220x15-R2LS32-S	190.00	220.00	15.00	R2LS32	Rubber	MULTI	Spring	S (NBR)
190x220x15-R2LS32-V	190.00	220.00	15.00	R2LS32	Rubber	MULTI	Spring	V (FKM)
190x220x15-RLS35-S	190.00	220.00	15.00	RLS35	Rubber	SGL	Spring	S (NBR)
190x220x15-RLS35-V	190.00	220.00	15.00	RLS35	Rubber	SGL	Spring	V (FKM)
190x225x16-R2LS32-S	190.00	225.00	16.00	R2LS32	Rubber	MULTI	Spring	S (NBR)
190x225x16-R2LS32-V	190.00	225.00	16.00	R2LS32	Rubber	MULTI	Spring	V (FKM)
190x225x16-RLS35-S	190.00	225.00	16.00	RLS35	Rubber	SGL	Spring	S (NBR)
190x225x16-RLS35-V	190.00	225.00	16.00	RLS35	Rubber	SGL	Spring	V (FKM)
Shaft 195.0 mm								
195x230x16-R2LS32-V	195.00	230.00	16.00	R2LS32	Rubber	MULTI	Spring	V (FKM)
Shaft 200.0 mm								
200x230x15-R2LS32-S	200.00	230.00	15.00	R2LS32	Rubber	MULTI	Spring	S (NBR)
200x230x15-R2LS32-V	200.00	230.00	15.00	R2LS32	Rubber	MULTI	Spring	V (FKM)
200x230x15-RLS35-S	200.00	230.00	15.00	RLS35	Rubber	SGL	Spring	S (NBR)
200x235x15-R2LS32-S	200.00	235.00	15.00	R2LS32	Rubber	MULTI	Spring	S (NBR)
200x240x15-R2LS32-V	200.00	240.00	15.00	R2LS32	Rubber	MULTI	Spring	V (FKM)
200x240x15-RLS35-V	200.00	240.00	15.00	RLS35	Rubber	SGL	Spring	V (FKM)
Shaft 210.0 mm								
210x240x15-RLS35-S	210.00	240.00	15.00	RLS35	Rubber	SGL	Spring	S (NBR)
210x250x15-RLS35-S	210.00	250.00	15.00	RLS35	Rubber	SGL	Spring	S (NBR)
Shaft 220.0 mm								
220x250x15-R2LS32-S	220.00	250.00	15.00	R2LS32	Rubber	MULTI	Spring	S (NBR)
220x250x15-RLS35-S	220.00	250.00	15.00	RLS35	Rubber	SGL	Spring	S (NBR)
220x250x15-RLS35-V	220.00	250.00	15.00	RLS35	Rubber	SGL	Spring	V (FKM)
220x250x16-R2LS32-S	220.00	250.00	16.00	R2LS32	Rubber	MULTI	Spring	S (NBR)
220x250x16-R2LS32-V	220.00	250.00	16.00	R2LS32	Rubber	MULTI	Spring	V (FKM)
220x250x16-RLS35-S	220.00	250.00	16.00	RLS35	Rubber	SGL	Spring	S (NBR)
Shaft 230.0 mm								
230x260x15-R2LS32-S	230.00	260.00	15.00	R2LS32	Rubber	MULTI	Spring	S (NBR)
230x260x15-RLS35-S	230.00	260.00	15.00	RLS35	Rubber	SGL	Spring	S (NBR)

SKUs available in single and bulk pack.
 All sizes can be made available in Viton® with MOQ and lead time.
 Viton® is a registered trademark of E.I. du Pont de Nemours and Company.
 Please contact your Timken sales engineer for more information.



Continued on next page.

Continued from previous page.

Timken Part Number	Shaft	Bore	Width	Model	O.D. Type	Lip	Spring	Lip Material
	mm	mm	mm					
Shaft 240.0 mm								
240x270x15-RLS35-S	240.00	270.00	15.00	RLS35	Rubber	SGL	Spring	S (NBR)
240x275x16-R2LS32-S	240.00	275.00	16.00	R2LS32	Rubber	MULTI	Spring	S (NBR)
240x275x16-R2LS32-V	240.00	275.00	16.00	R2LS32	Rubber	MULTI	Spring	V (FKM)
240x275x16-RLS35-S	240.00	275.00	16.00	RLS35	Rubber	SGL	Spring	S (NBR)
Shaft 250.0 mm								
250x280x15-RLS35-S	250.00	280.00	15.00	RLS35	Rubber	SGL	Spring	S (NBR)
250x285x15-R2LS32-V	250.00	285.00	15.00	R2LS32	Rubber	MULTI	Spring	V (FKM)
250x285x15-RLS35-V	250.00	285.00	15.00	RLS35	Rubber	SGL	Spring	V (FKM)
Shaft 260.0 mm								
260x290x16-R2LS32-S	260.00	290.00	16.00	R2LS32	Rubber	MULTI	Spring	S (NBR)
Shaft 280.0 mm								
280x310x16-RLS35-S	280.00	310.00	16.00	RLS35	Rubber	SGL	Spring	S (NBR)
Shaft 300.0 mm								
300x340x16-R2LS32-S	300.00	340.00	16.00	R2LS32	Rubber	MULTI	Spring	S (NBR)
300x340x16-RLS35-S	300.00	340.00	16.00	RLS35	Rubber	SGL	Spring	S (NBR)
300x340x18-RLS35-S	300.00	340.00	18.00	RLS35	Rubber	SGL	Spring	S (NBR)

SKUs available in single and bulk pack.
 All sizes can be made available in Viton® with MOQ and lead time.
 Viton® is a registered trademark of E.I. du Pont de Nemours and Company.
 Please contact your Timken sales engineer for more information.



RLS35



R2LS32



To view more Timken catalogs, go to www.timken.com/catalogs for interactive versions, or to download the Timken catalog app for your smart phone or mobile device scan the QR code or go to timkencatalogs.squawqr.com.

TIMKEN

The Timken team applies their know-how to improve the reliability and performance of machinery in diverse markets worldwide. The company designs, makes and markets high-performance mechanical components, including bearings, gears, belts, chain and related mechanical power transmission products and services.

www.timken.com

Price: USD \$75

Stronger. Commitment. Stronger. Value. Stronger. Worldwide. Stronger. Together. | Stronger. By Design.